

iBoostX-90GSW130M-SA/SJ SWIR Camera

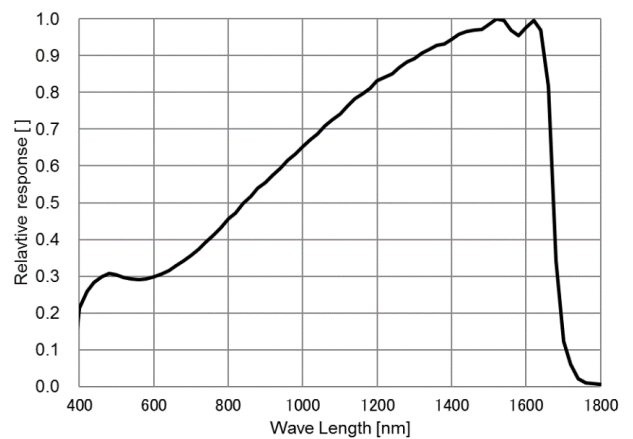
- 1.3MP @90 fps
- Adopts High-sensitivity InGaAs SWIR Sensor
- Adopts GigE interface and max. transmission distance of 100 meters without relay
- Filter 400-1800nm(standard) 1030-1800nm(optional)
- 512MB hardware image buffer

Applied range • Electronic Board&Semiconductor Inspection • Identifying And Sorting
• High-End Night Vision Security Applications

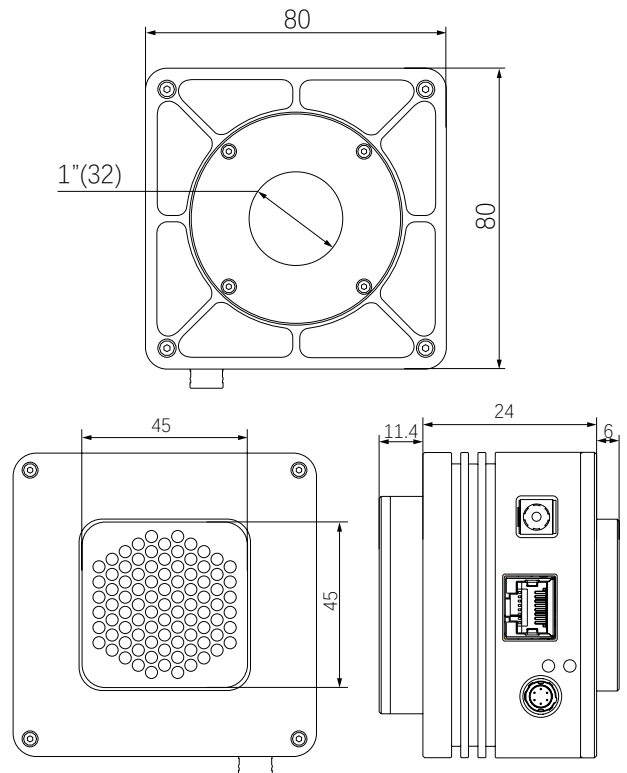


Camera	iBoostX-90GSW130M-SA/SJ	
Resolution [H*V]	1280 × 1024	
Sensor Type	Sony IMX990-AABA-C Built-in TEC	Sony IMX990-AABJ-C External TEC
Sensor Technology	InGaAs	
Pixel Size[μm]	5	
Sensor Size	1/2"	
Frame Rate [Fps]	12 Bit:45 @1280 x 1024 / 135 @640 x 512 8 Bit: 90 @1280 x 1024 / 253 @640 x 512	
Spectral Range	0.4μm - 1.8μm	
SNR	52.6dB	52.4dB
Dynamic Range	58.7dB	
Conversion Gain	42.29e/ADU	42.8e/ADU
Sensitivity	121mV	
Dark current	383e/s(0°C) 510e/s(10°C) 638e/s(20°C)	638e/s(20°C)
Gain Range	1x-15x	
Exposure time	15μs-60s	
Shutter	Global	
Digital I/O	One opto-isolated input, one opto-isolated output, two non-isolated input and output	
Data Bit	12bit,8bit optional	
CRA	2.35°	
Interface	GigE	
Housing Size	80 × 80 × 45.5 mm (<390g)	
Operating Temp	-40~850 ° C (Storage), -20~60° C (Working)	
Lenses Mount	C-Mount	
Power Input	DC 12 V	
Power Consumption	12V @<2.1W(Without cooling) <25W(Cooling)	
Operating System	Windows/Linux	

Spectral Response



Dimensions



No.8, Xiyuan 9th Road West Lake District, Hangzhou 310030 China
Tel: 86-571-86888309, 86-571-86888307
Web: www.visiondatum.com Email: market@visiondatum.com

