

iBoostX-726CSW33M-CM/HP SWIR Camera

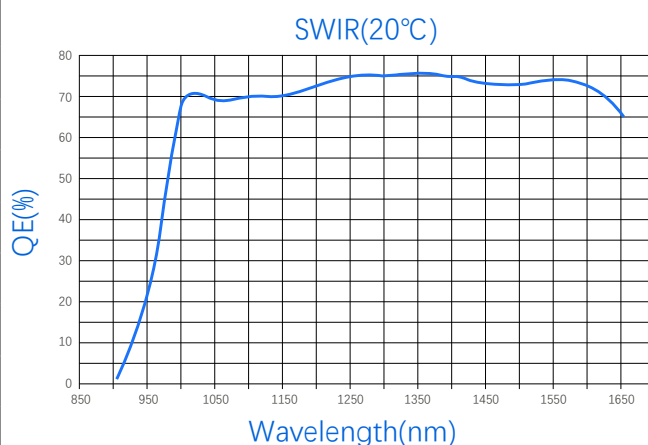
- 0.33MP @726 fps
- Adopts High-sensitivity InGaAs SWIR Sensor
- Built-in TEC refrigeration chip, the temperature difference can reach 40 degrees Celsius below the ambient temperature
- CameraLink Full
- 512MB hardware image buffer

Applied range • Optical Fiber Communication • Humidity Distribution Imaging • Medicine And Biology
• Monitoring (Night Vision) • High Temperature Imaging • Semiconductor Detection Applications

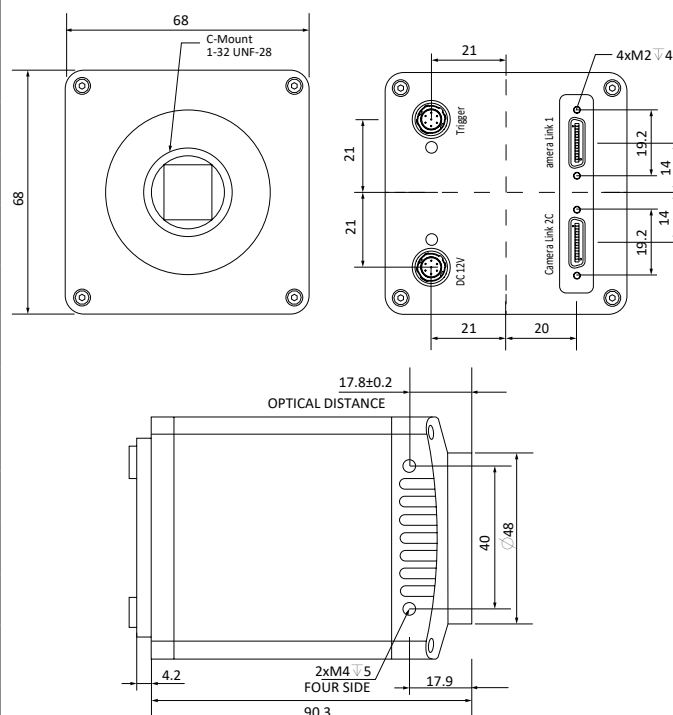


Camera	iBoostX-726CSW33M-CM/HP	
Resolution [H*V]	640 × 512	
Sensor Type	InGaAs Built-in TEC	
Pixel Size[μm]	15	
Sensor Size	3/4"	
Frame Rate [Fps]	726	
Spectral Range	0.9μm - 1.7μm	
SNR	TBD	
Dynamic Range	TBD	
Conversion Gain	HG:106uV/e-(l.Sff) , MG:20uV/e-(8.0ff) , LG:0.82uV/e-(195ff)	
QE	75%@1350nm	
Dark current	30fA@0.1V&18°C	
Full well charge	HG:17Ke- , MG:90Ke- , LG:2.2Me-	
Exposure time	23.81μs-1s	
Shutter	Global	
Digital I/O	One opto-isolated input, one opto-isolated output, two non-isolated input and output	
Data Bit	12-bit	
Camera Type	CM:Nationally produced	HP:High performance
Interface	Cameralink Full	
Housing Size	68 × 68 × 90.3 mm (485g)	
Operating Temp	-40~85 ° C (Storage), -30~60° C (Working)	
Lens Mount	C-Mount	
Power Input	DC 12 V	
Power Consumption	12V @<8.4W(Without cooling) <16W(Cooling)	
Operating System	Windows	

Spectral Response



Dimensions



No.8, Xiyuan 9th Road West Lake District, Hangzhou 310030 China
Tel: 86-571-86888309, 86-571-86888307
Web: www.visiondatum.com Email: market@visiondatum.com

