

iBoostX-71USW500M-SA/SJ SWIR Camera

- 5MP @61.9 fps
- Adopts High-sensitivity InGaAs SWIR Sensor
- USB 3.0 interface with plug and play capability, USB3.0 power supply
- Filter 400-1800nm(standard) 1030-1800nm(optional)
- 512MB hardware image buffer

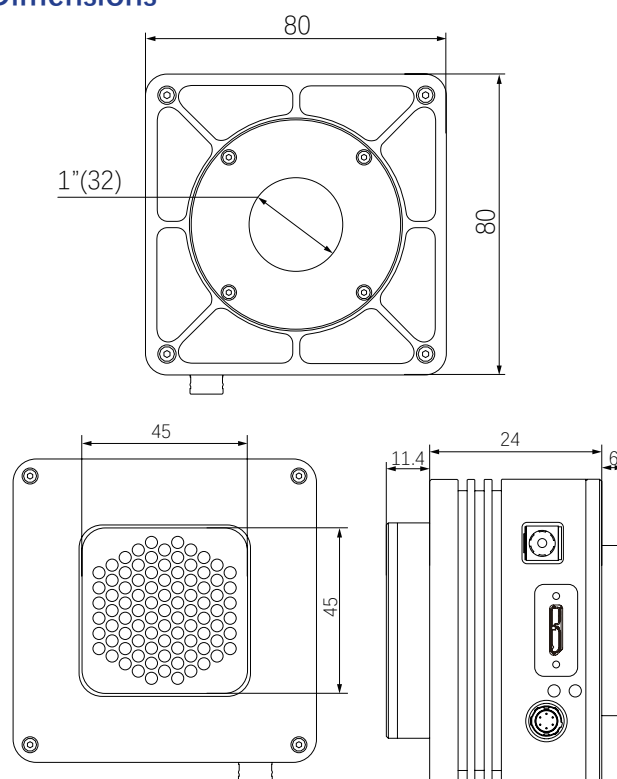
Applied range • Electronic Board&Semiconductor Inspection • Identifying And Sorting
• High-End Night Vision Security Applications



Camera	iBoostX-71USW500M-SA/SJ	
Resolution [H*V]	2560× 2048	
Sensor Type	Sony IMX992-AABA-C Buit-in TEC	Sony IMX992-AABJ-C External TEC
Sensor Technology	InGaAs	
Pixel Size[μm]	3.45	
Sensor Size[μm]	1/1.4"	
Frame Rate [Fps]	8-Bit:61.9@2560x2048 / 135.7@1280x1024 12-Bit:35.5@2560x2048 / 135.7@1280x1024	
Spectral Range	0.4μm - 1.8μm	
SNR	46.17dB(HCG) 48.45dB(LCG)	
Dynamic Range	51.36dB(HCG) 51.47dB(LCG)	
Conversion Gain	10.3e/ADU(HCG) 17.29e/ADU(LCG)	
Sensitivity	TBD	
Dark current	TBD	
Gain Range	1x-15x	
Exposure time	15μs-60s	
Shutter	Global	
Digital I/O	One opto-isolated input, one opto-isolated output, two non-isolated input and output	
Data Bit	12bit,8bit optional	
CRA	2.35°	
Interface	USB3.0	
Housing Size	80 × 80 × 45.5 mm (<300g)	
Operating Temp	-40~85 ° C (Storage), -20~60° C (Working)	
Lenses Mount	C-Mount	
Power Input	DC 12 V	
Power Consumption	12V @<2.1W(Without cooling) <25W(Cooling)	
Operating System	Windows/Linux	

Spectral Response

Dimensions



No.8, Xiyuan 9th Road West Lake District, Hangzhou 310030 China
Tel: 86-571-86888309, 86-571-86888307
Web: www.visiondatum.com Email: market@visiondatum.com

