



Mars6000S-60um/uc

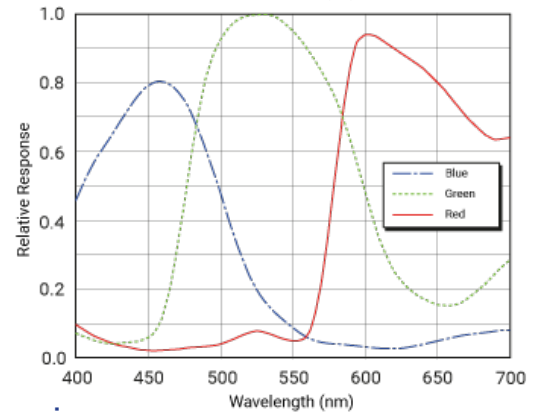
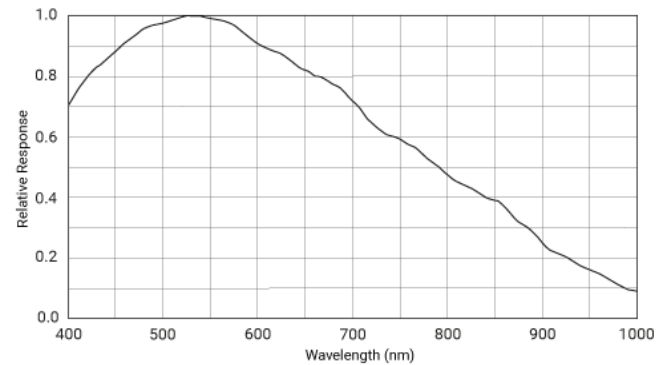
- 6MP @60 fps
- USB 3.0 interface with plug and play capability, USB3.0 power supply
- Compatible with USB3 Vision Protocol, GenICam Standard, and the third-party software based on these protocol and standard
- Support Windows、Linux
- 64 MB local memory for burst transmission and retransmission



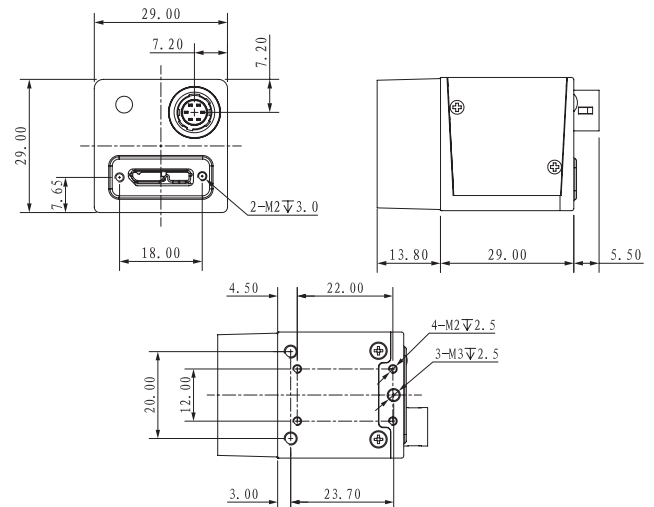
**Applied range** • Defect Detection • Surface Patch Detection • Visual Positioning • Size Measuring • QR Code Reading • VR/AR • Logistics

Camera	Mars6000S-60um/uc
Resolution [H*V]	3072 x 2048
Sensor	Sony IMX178
Sensor Size	1/1.8"
Sensor Technology	Rolling, CMOS
Pixel Size [ $\mu\text{m}$ ]	2.4 x 2.4
Frame Rate [fps]	60
Data Bit	10bit
Exposure Time	11 $\mu\text{s}$ ~1s
Dynamic Range	66dB
Mono/Color	Mono/Color
Image Format	Monochrome: Mono8/10/10Packed Color: BayerRG8/10/10Packed, BayerGB8/10/10Packed
Interface	USB 3.0
Synchronization	Via hardware trigger、software trigger or free run mode
Programmable Control [ISP]	Image resolution、RGB gain、Exposure time、Contrast ratio、Gamma form、Image rollovers、Raw、LUT、Black level correction
Housing Size [l*w*h]	29.0 x 29.0 x 29.0 mm (60g)
Operating Temperature	-30~80 ° C (Storage), -30~50° C (Working)
Lenses Mount	C-Mount
Digital I/O	Opto-isolated input x 1, opto-isolated output x 1, and bi-directional custom non-isolated I/O x 1
Power Input	DC 6-24V, Supporting USB
Power Consumption	12V@ $\approx$ 2.4W
Driver	Mars Series Camera Software Suite or 3rd party USB3 Vision Software
Operating System	Windows, Linux
Conformity	USB3 Vision, GenICam

### Spectral Response



### Dimensions



No.8, Xiyuan 9th Road West Lake District, Hangzhou 310030 China  
Tel: 86-571-86888309, 86-571-86888307  
Web: [www.visiondatum.com](http://www.visiondatum.com) Email: [market@visiondatum.com](mailto:market@visiondatum.com)

