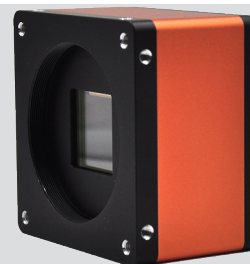


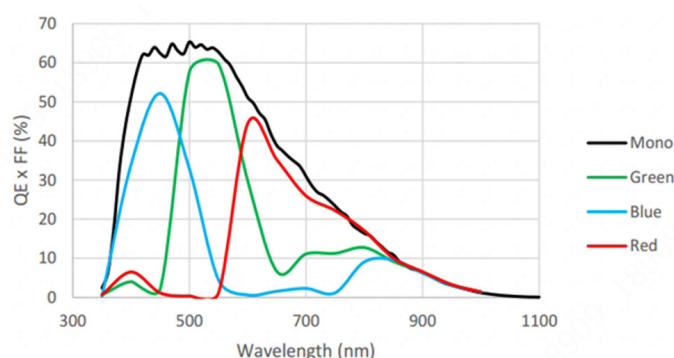
- 65MP @17.4 fps
- Adopts 10GigE interface and up to 10Gbps effective bandwidth
- Compatible with GigE Vision Protocol and the third-party software based on the protocol
- Support Windows operating platform
- Up to 1GB local memory for burst transmission and retransmission



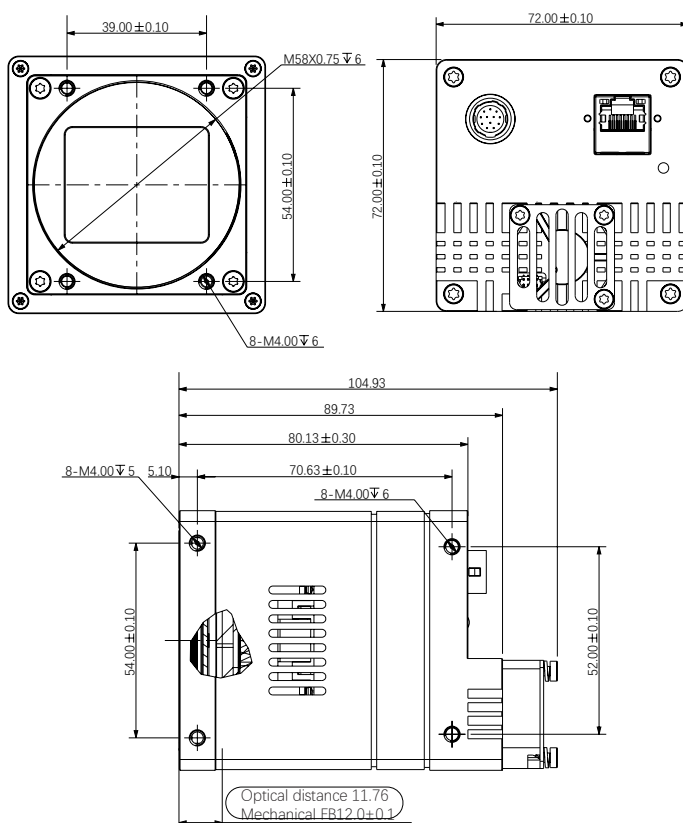
Applied range • Defect Detection • Surface Patch Detection • Visual Positioning • Size Measuring • QR Code Reading • VR/AR • Logistics

Camera	Mars65MG-18Tgm/Tgc
Resolution [H*V]	9344 x 7000
Sensor	GMAX3265
Sensor Size	37.4mm(29.9mm x 22.4mm)
Sensor Technology	Global, CMOS
Pixel Size [μm]	3.2 x 3.2
Frame Rate [fps]	17.4
Data Bit	12 bit
Exposure Time	16us-15s
Dynamic Range	66dB
Mono/Color	Mono / Color
Image Format	Mono: Mono8 Color: BayerRG8/BayerGB8
Interface	10 GigE
Synchronization	Via hardware trigger, software trigger or free run mode
Programmable Control [ISP]	Image resolution, RGB Gain, Exposure time, Gamma form, Image rollovers, Raw, LUT, Black level correction
Housing Size [l*w*h]	72.0 x 72.0 x 80.0 mm (600g)
Operating Temperature	-30~80 ° C (Storage), -30~50° C (Working)
Lenses Mount	M58, FBL 12
Digital I/O	Opto-isolated input x 3, opto-isolated output x 3, RS232 x 1
Power Input	DC 24V
Power Consumption	24V@<20.1W
Driver	Mars series camera software suite or third-party GigE Vision protocol software
Operating System	Windows
Conformity	GigE Vision, GenICam

Spectral Response



Dimensions



No.8, Xiyuan 9th Road West Lake District, Hangzhou 310030 China
 Tel: 86-571-86888309, 86-571-86888307
 Web: www.visiondatum.com Email: market@visiondatum.com

