

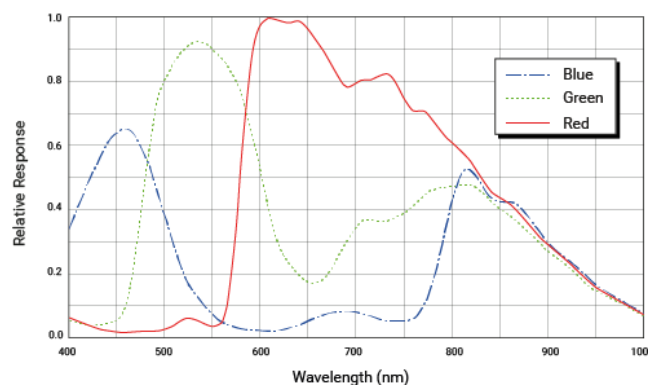
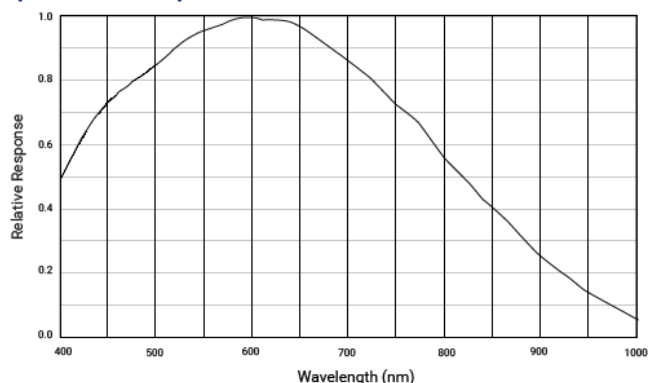
- 5MP @20 fps
- Adopts GigE interface and max. transmission distance of 100 meters without relay
- Compatible with GigE Vision Protocol, GenICam Standard, and the third-party software based on these protocol and standard
- Support Windows、Linux
- 64 MB local memory for burst transmission and retransmission



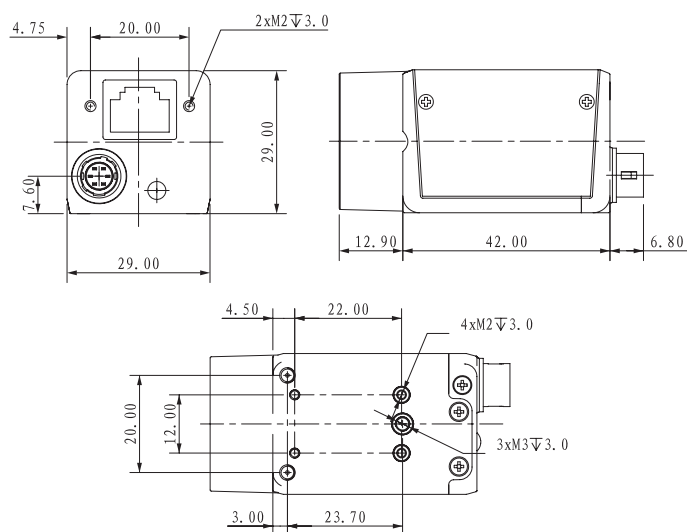
Applied range • Defect Detection • Surface Patch Detection • Visual Positioning • Size Measuring • QR Code Reading • VR/AR • Logistics

| Camera | Mars5000S-20gm/gc |
|------------------------------|--|
| Resolution [H*V] | 2448 x 2048 |
| Sensor | Sony IMX264 |
| Sensor Size | 2/3" |
| Sensor Technology | Global, CMOS |
| Pixel Size [μm] | 3.45 x 3.45 |
| Frame Rate [fps] | 20 |
| Data Bit | 12bit |
| Exposure Time | 34 μs ~1s |
| Dynamic Range | 70dB |
| Mono/Color | Mono/Color |
| Image Format | Monochrome: Mono8/10/10Packed Color: Mono8,BayerRG8/10/10Packed, BayerGB8/10/10Packed,YUV422Packed |
| Interface | GigE |
| Synchronization | Via hardware trigger、software trigger or free run mode |
| Programmable Control [ISP] | Image resolution、RGB Gain、Exposure time、Contrast ratio、Gamma form、Image rollovers、Raw、LUT、Black level correction |
| Housing Size [l*w*h] | 29.0 x 29.0 x 42.0 mm (88g) |
| Operating Temperature | -30~80 ° C (Storage), -30~50° C (Working) |
| Lenses Mount | C-Mount |
| Digital I/O | Opto-isolated input x 1, opto-isolated output x 1, and bi-directional custom non-isolated I/O x 1 |
| Power Input | DC 6-24V, Supporting PoE |
| Power Consumption | 12V @ \approx 3.2W |
| Driver | Mars Series Camera Software Suite (iCentral) or 3rd party GigE Vision Software |
| Operating System | Windows, Linux |
| Conformity | GigE Vision, GenICam |

Spectral Response



Dimensions



No.8, Xiyuan 9th Road West Lake District, Hangzhou 310030 China
 Tel: 86-571-86888309, 86-571-86888307
 Web: www.visiondatum.com Email: market@visiondatum.com

