



**GAL 4K-40CCNIR**

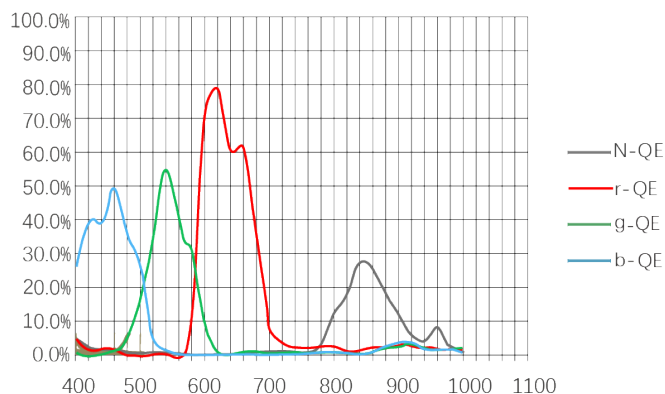
- 4K @40KHz(Three lines of RGB + one line of NIR)
- Standard CameraLink SDR interface for data transfer, PoCL interface adaptive
- Global Shutter, Exposure time can be programmed or pulse width control triggered
- Support DSNU, PRNU correction function and Gain and Offset programmable settings
- Support Windows



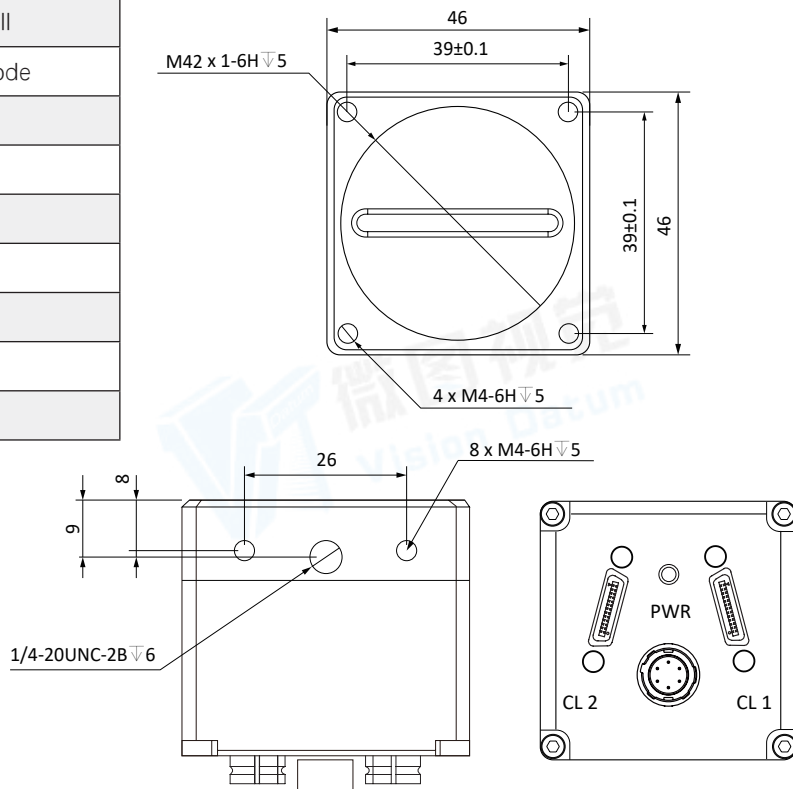
**Applied range** • Defect Detection • Automation & Inspection • Logistics • Flat panel inspection • Railway inspection

Camera	GAL 4K-40CCNIR
Resolution [H*V]	4096 × 4
Pixel Size [μm]	7 × 7
Sensor Size [mm]	28.6
Line Rate [KHz]	40
Pixel Clock	85M hz/65M hz
Data Bit	8bit
Dynamic Range	74dB
Saturation	33.5V/lux*s
Color	RGB/NIR
Interface	Cameralink (SDR)
Configuration Mode	Base、Dual Base、Medium or Full
Synchronization	Via hardware trigger or free run mode
Housing Size [l*w*h]	46 × 46 × 41 mm(250g)
Operating Temperature	0~60° C (Working)
Lenses Mount	M42*1, FBL:12±0.15mm
Power Input	PoCL/12-24V
Power Consumption	<4W
Operating System	Windows
Conformity	Camera Link, GenICam

### Spectral Response



### Dimensions



No.8, Xiyuan 9th Road West Lake District, Hangzhou 310030 China  
 Tel: 86-571-86888309, 86-571-86888307  
 Web: [www.visiondatum.com](http://www.visiondatum.com) Email: [market@visiondatum.com](mailto:market@visiondatum.com)

