

UP To 750000 fps

- 1.3MP @9500 fps
- Support up to 64 memory partitions
- Support up to 24TB optional memory
- 10GigE data interface, compatible with GigE
- Automatic triggering of image changes

ISPEEDY95MT13M/C



Applied range • Sports Technology • Digital Referee • Vehicle Crash Test • Flame Image Analysis • Blast Research • Fluid Analysis

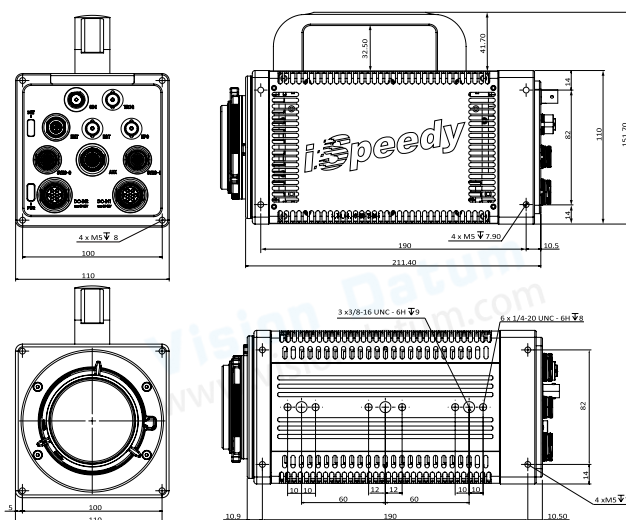
Camera	iSpeedy95MT13M/C
Resolution [H*V]	1280×1024
Full Frame Rate	9500fps
Max Frame Rate	750000fps
Min Exposure Time	100ns
Pixel Size	14.6um
Standard RAM	40G, 80G, 160G, 320G (Optional)
Extended Memory	4T, 12T, 24T (Optional)
Shutter	Global
Dynamic Range	60dB
Analog Gain	×2、×4、×8
Sensitivity	ISO67000(Mono); ISO23000(Color)
Bit Depth	8bit / 10bit / 12bit
Color	Mono / Color
Data Interface	10 Gigabit Ethernet, Adaptive Gigabit Ethernet
Lens Mount	E interface, can be connected to F/C/EF interface
Trigger Mode	Manual, IO, Image
External Signal	Input: trigger (TTL/switch) signal, synchronization signal, ready signal, event signal, IRIGB code signal Output: trigger (TTL/switch) signal, synchronization signal, ready signal, exposure signal, recording signal
Dimensions & Weight	217D×110W×110H (3.8kg)
Operating Temperature/Humidity	Standard -10~50 °C , below 95% (without condensation), customizable -40~65 °C wide temperature version
Power Supply	Dual power supply, DC24V@55W

Performance

Resolution	Frame Rate	Record time (memory)			Record time (hard disk)		
		40GB	80GB	160GB	4TB	12TB	24TB
1280×1024	9500fps	3.4s	6.9s	13.8s	5.7min	17min	34min
1280×768	13700fps	3.1s	6.2s	12.4s	5min	15min	30min
1280×512	20600fps	3.1s	6.2s	12s	5min	15min	31min
1280×256	40700fps	3.3s	6.6s	13.2s	5min	16min	32min
1280×128	78500fps	3.6s	7.2s	14.4s	5min	16min	33min
1280×64	144000fps	3.9s	7.8s	15.6s	6min	18min	36min
1280×8	750000fps	5.5s	11s	22s	9min	27min	55min

※ Recording time with 8bit grayscale, the 320GB version records twice as long as 160GB.
 ※ The hard disk version supports full resolution full frame rate real-time storage.

Dimensions



No.8, Xiyuan 9th Road West Lake District, Hangzhou 310030 China
 Tel: 86-571-86888309, 86-571-86888307
 Web: www.visiondatum.com Email: market@visiondatum.com

