

UP To 50000 fps

- 2MP @6600 fps
- Support up to 64 memory partitions
- Support up to 24TB optional memory
- 10GigE data interface, compatible with GigE
- Automatic triggering of image changes

ISPEEDY66MT20M/C



Applied range • Sports Technology • Digital Referee • Vehicle Crash Test • Flame Image Analysis • Blast Research • Fluid Analysis

Camera	iSpeedy66MT20M/C
Resolution [H*V]	2048×1024
Full Frame Rate	6600fps
Max Frame Rate	50000fps
Min Exposure Time	1us
Pixel Size	9um
Standard RAM	40G, 80G, 160G, 320G (Optional)
Extended Memory	4T, 12T, 24T (Optional)
Shutter	Global
Dynamic Range	64dB
Analog Gain	×2、×4、×8
Sensitivity	ISO10000(Mono); ISO3000(Color)
Bit Depth	8bit / 10bit / 12bit
Color	Mono / Color
Data Interface	10 Gigabit Ethernet, Adaptive Gigabit Ethernet
Lens Mount	E interface, can be connected to F/C/EF interface
Trigger Mode	Manual, IO, Image
External Signal	Input: trigger (TTL/switch) signal, synchronization signal, ready signal, event signal, IRIGB code signal Output: trigger (TTL/switch) signal, synchronization signal, ready signal, exposure signal, recording signal
Dimensions & Weight	217D×110W×110H (3.8kg)
Operating Temperature/Humidity	Standard -10~50 °C , below 95% (without condensation), customizable -40~65 °C wide temperature version
Power Supply	Dual power supply, DC24V@55W

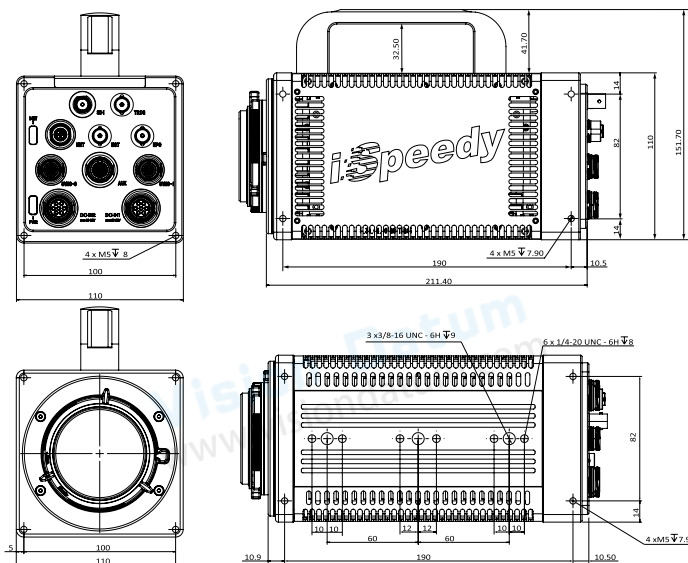
Performance

Resolution	Frame Rate	Record time (memory)			Record time (hard disk)		
		40GB	80GB	160GB	4TB	12TB	24TB
2048×1024	6600fps	3.1s	6.2s	12.4s	5min	15min	30min
2048×768	8500fps	3.1s	6.2s	12.4s	5min	15min	30min
2048×512	11000fps	3.7s	7.4s	14.8s	6min	18min	36min
2048×256	17000fps	4.8s	9.6s	19.2s	8min	24min	48min
2048×128	23000fps	7.1s	14.2s	28.4s	11min	34min	68min
2048×64	28000fps	11.7s	23.4s	46.8s	19min	57min	114min
2048×32	50000fps	13.1s	26.2s	54.4s	21min	64min	128min

*Recording time with 8bit grayscale, the 320GB version records twice as long as 160GB.

*The hard disk version supports full resolution full frame rate real-time storage.

Dimensions



No.8, Xiyuan 9th Road West Lake District, Hangzhou 310030 China
Tel: 86-571-86888309, 86-571-86888307
Web: www.visiondatum.com Email: market@visiondatum.com

