

UP To 50000 fps

- 5.1MP @3600 fps
- Support up to 64 memory partitions
- Support up to 24TB optional memory
- 10GigE data interface, compatible with GigE
- Automatic triggering of image changes

ISPEEDY36MT51M/C



Applied range • Sports Technology • Digital Referee • Vehicle Crash Test • Flame Image Analysis • Blast Research • Fluid Analysis

Camera	iSpeedy36MT51M/C
Resolution [H*V]	2560×2016
Full Frame Rate	3600fps
Max Frame Rate	50000fps
Min Exposure Time	1us
Pixel Size	9um
Standard RAM	40G, 80G, 160G, 320G (Optional)
Extended Memory	4T, 12T, 24T (Optional)
Shutter	Global
Dynamic Range	64dB
Analog Gain	×2、×4、×8
Sensitivity	ISO10000(Mono); ISO3000(Color)
Bit Depth	8bit / 10bit / 12bit
Color	Mono / Color
Data Interface	10 Gigabit Ethernet, Adaptive Gigabit Ethernet
Lens Mount	E interface, can be connected to F/C/EF interface
Trigger Mode	Manual, IO, Image
External Signal	Input: trigger (TTL/switch) signal, synchronization signal, ready signal, event signal, IRGB code signal Output: trigger (TTL/switch) signal, synchronization signal, ready signal, exposure signal, recording signal
Dimensions & Weight	217D×110W×110H (3.8kg)
Operating Temperature/Humidity	Standard -10~50 °C , below 95% (without condensation), customizable -40~65 °C wide temperature version
Power Supply	Dual power supply, DC24V@55W

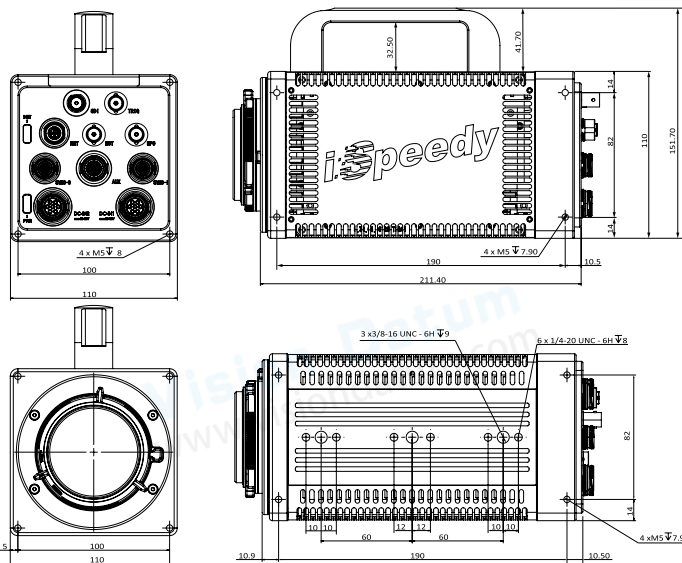
Performance

Resolution	Frame Rate	Record time (memory)			Record time (hard disk)		
		40GB	80GB	160GB	4TB	12TB	24TB
2560×2016	3600fps	2.3s	4.6s	9.2s	3.8min	11min	23min
2560×1536	4800fps	2.3s	4.6s	9.2s	3.8min	11min	23min
2560×1280	5600fps	2.3s	4.6s	9.2s	3.9min	11min	35min
2560×1024	11000fps	2.9s	5.8s	11.6s	4.9min	14min	28min
2560×256	17000fps	3.8s	7.7s	15.2s	6.5min	19min	38min
2560×128	23000fps	5.5s	11s	22s	9.5min	28min	56min
2560×32	50000fps	10.4s	22.8s	45.6s	17min	52min	104min

*Recording time with 8bit grayscale, the 320GB version records twice as long as 160GB.

*The hard disk version supports full resolution full frame rate real-time storage.

Dimensions



No.8, Xiyuan 9th Road West Lake District, Hangzhou 310030 China
Tel: 86-571-86888309, 86-571-86888307
Web: www.visiondatum.com Email: market@visiondatum.com

