

### UP To 365000 fps

- 2MP @3600 fps
- Support up to 64 memory partitions
- 10GigE data interface, compatible with GigE
- Automatic triggering of image changes

### ISPEEDY36MT20M/C-SE



**Applied range** • Sports Technology • Digital Referee • Vehicle Crash Test • Flame Image Analysis • Blast Research • Fluid Analysis

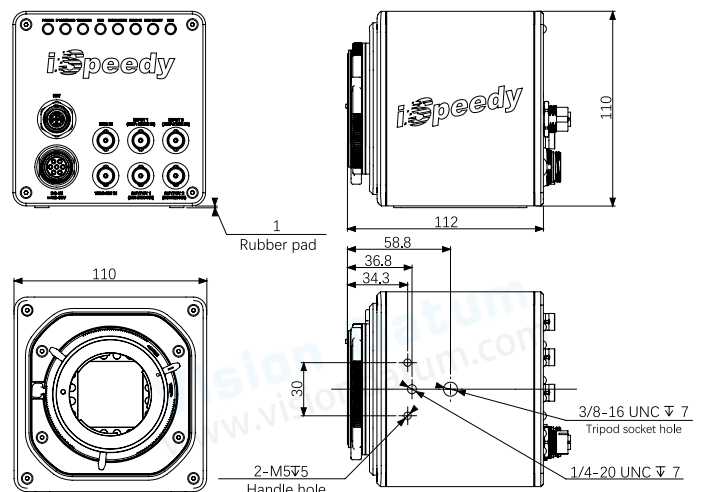
Camera	iSpeedy36MT20M/C-SE
Resolution [H*V]	1920×1080
Full Frame Rate	3600fps
Max Frame Rate	365000fps
Min Exposure Time	100ns
Pixel Size	7.8um
Standard RAM	16G、32G、64G、128G (Optional)
Extended Memory	/
Shutter	Global
Dynamic Range	60dB
Analog Gain	×2、×4、×8
Sensitivity	ISO23000(Mono); ISO8000(Color)
Bit Depth	8bit / 10bit / 12bit
Color	Mono / Color
Data Interface	10 Gigabit Ethernet, Adaptive Gigabit Ethernet
Lens Mount	E interface, can be connected to F/C/EF interface
Trigger Mode	Manual, IO, Image
External Signal	Input: trigger (TTL/switch) signal, synchronization signal, ready signal, event signal, IRIGB signal Output: trigger signal, synchronization signal, ready signal
Dimensions & Weight	90D×110W×110H (<1.8kg)
Operating Temperature/ Humidity	Standard -10~50 °C , below 95% (without condensation), customizable -40~65 °C wide temperature version
Power Supply	DC24V@<30W

### Performance

Resolution	Frame Rate	Record time (memory)			
		16GB	32GB	64GB	128GB
1920×1080	3600fps	2.3s	4.6s	9.2s	18.4s
1920×960	4000fps	2.3s	4.6s	9.2s	18.4s
1920×640	6000fps	2.3s	4.6s	9.2s	18.4s
1920×480	8000fps	2.3s	4.6s	9.2s	18.4s
1920×256	15000fps	2.3s	4.6s	9.2s	18.4s
1920×8	365000fps	3s	6s	12s	24s

\*Recording time with 8bit grayscale.

### Dimensions



No.8, Xiyuan 9th Road West Lake District, Hangzhou 310030 China  
Tel: 86-571-86888309, 86-571-86888307  
Web: [www.visiondatum.com](http://www.visiondatum.com) Email: [market@visiondatum.com](mailto:market@visiondatum.com)

