

UP To 20000 fps

- 8MP @2000 fps
- Support up to 64 memory partitions
- Support up to 24TB optional memory
- 10GigE data interface, compatible with GigE
- Automatic triggering of image changes

ISPEEDY20MT80M/C



Applied range • Sports Technology • Digital Referee • Vehicle Crash Test • Flame Image Analysis • Blast Research • Fluid Analysis

Camera	iSpeedy20MT80M/C
Resolution [H*V]	4096×2048
Full Frame Rate	2000fps
Max Frame Rate	20000fps
Min Exposure Time	1us
Pixel Size	4.5um
Standard RAM	40G, 80G, 160G, 320G (Optional)
Extended Memory	4T, 12T, 24T (Optional)
Shutter	Global
Dynamic Range	64dB
Analog Gain	×2、×4、×8
Sensitivity	ISO10000(Mono); ISO3000(Color)
Bit Depth	8bit / 10bit / 12bit
Color	Mono / Color
Data Interface	10 Gigabit Ethernet, Adaptive Gigabit Ethernet
Lens Mount	E interface, can be connected to F/C/EF interface
Trigger Mode	Manual, IO, Image
External Signal	Input: trigger (TTL/switch) signal, synchronization signal, ready signal, event signal, IRGB code signal Output: trigger (TTL/switch) signal, synchronization signal, ready signal, exposure signal, recording signal
Dimensions & Weight	217D×110W×110H (3.8kg)
Operating Temperature/Humidity	Standard -10~50 °C , below 95% (without condensation), customizable -40~65 °C wide temperature version
Power Supply	Dual power supply, DC24V@55W

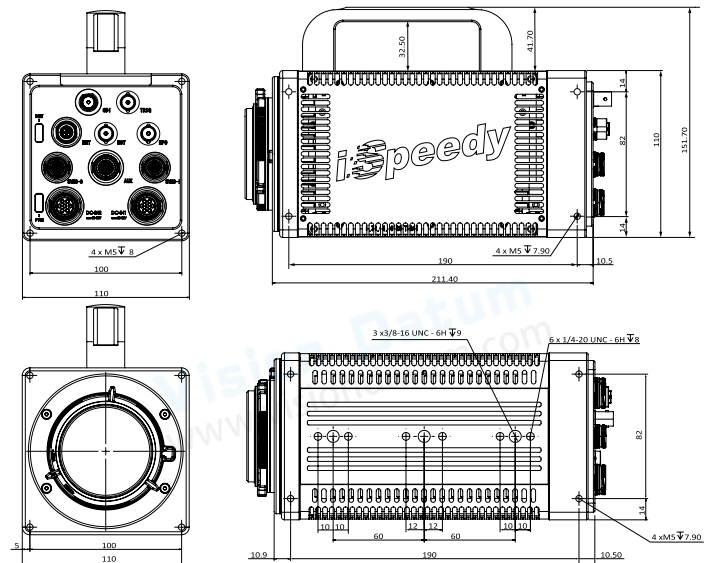
Performance

Resolution	Frame Rate	Record time (memory)			Record time (hard disk)		
		40GB	80GB	160GB	4TB	12TB	24TB
4096×2048	2000fps	2.5s	5s	10s	4.2min	12.4min	25.6min
4096×1536	2500fps	2.7s	5.4s	10.8s	4.5min	13.5min	27min
4096×1024	3800fps	2.7s	5.4s	10.8s	4.5min	13.5min	26.7min
4096×512	6900fps	2.9s	5.8s	11.6s	4.9min	14.7min	29min
4096×256	11500fps	3.5s	7s	14s	5.9min	17.7min	35.6min
4096×128	17000fps	4.8s	9.6s	19.2s	8min	24min	48min
4096×64	20000fps	8.1s	16.2s	32.4s	13min	40min	81min

*Recording time with 8bit grayscale, the 320GB version records twice as long as 160GB.

*The hard disk version supports full resolution full frame rate real-time storage.

Dimensions



No.8, Xiyuan 9th Road West Lake District, Hangzhou 310030 China
Tel: 86-571-86888309, 86-571-86888307
Web: www.visiondatum.com Email: market@visiondatum.com

