

UP To 25000 fps

- 5.1MP @2000 fps
- Support up to 64 memory partitions
- Support up to 24TB optional memory
- 10GigE data interface, compatible with GigE
- Automatic triggering of image changes

ISPEEDY20MT51M/C



Applied range • Sports Technology • Digital Referee • Vehicle Crash Test • Flame Image Analysis • Blast Research • Fluid Analysis

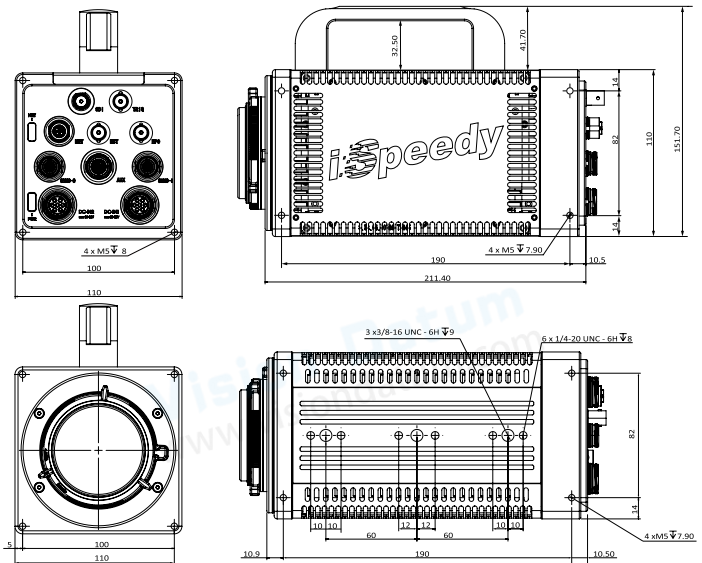
Camera	iSpeedy20MT51M/C
Resolution [H*V]	2560×2016
Full Frame Rate	2000fps
Max Frame Rate	25000fps
Min Exposure Time	1us
Pixel Size	9um
Standard RAM	40G, 80G, 160G, 320G (Optional)
Extended Memory	4T, 12T, 24T (Optional)
Shutter	Global
Dynamic Range	64dB
Analog Gain	×2、×4、×8
Sensitivity	ISO10000(Mono); ISO3000(Color)
Bit Depth	8bit / 10bit / 12bit
Color	Mono / Color
Data Interface	10 Gigabit Ethernet, Adaptive Gigabit Ethernet
Lens Mount	E interface, can be connected to F/C/EF interface
Trigger Mode	Manual, IO, Image
External Signal	Input: trigger (TTL/switch) signal, synchronization signal, ready signal, event signal, IRIGB code signal Output: trigger (TTL/switch) signal, synchronization signal, ready signal, exposure signal, recording signal
Dimensions & Weight	217D×110W×110H (3.8kg)
Operating Temperature/Humidity	Standard -10~50 °C , below 95% (without condensation), customizable -40~65 °C wide temperature version
Power Supply	Dual power supply, DC24V@55W

Performance

Resolution	Frame Rate	Record time (memory)			Record time (hard disk)		
		40GB	80GB	160GB	4TB	12TB	24TB
2560×2016	2000fps	4.1s	8.2s	16.4s	6.9min	20min	41min
2560×1280	3000fps	4.1s	8.2s	16.4s	7min	21min	43min
2560×1024	4000fps	4.1s	8.2s	16.4s	6.8min	20min	40min
2560×512	5600fps	5.8s	11.6s	23.2s	9min	29min	58min
2560×256	9000fps	7.2s	14.4s	28.8s	12min	36min	72min
2560×128	12000fps	10.8s	21.6s	43.2s	18min	54min	109min
2560×32	25000fps	21s	42s	84s	34min	104min	209min

※ Recording time with 8bit grayscale, the 320GB version records twice as long as 160GB.
 ※ The hard disk version supports full resolution full frame rate real-time storage.

Dimensions



No.8, Xiyuan 9th Road West Lake District, Hangzhou 310030 China
 Tel: 86-571-86888309, 86-571-86888307
 Web: www.visiondatum.com Email: market@visiondatum.com

