

UP To 365000 fps

- 5MP @2000 fps
- Support up to 64 memory partitions
- 10GigE data interface, compatible with GigE
- Automatic triggering of image changes

ISPEEDY20MT50M/C-SE



Applied range • Sports Technology • Digital Referee • Vehicle Crash Test • Flame Image Analysis • Blast Research • Fluid Analysis

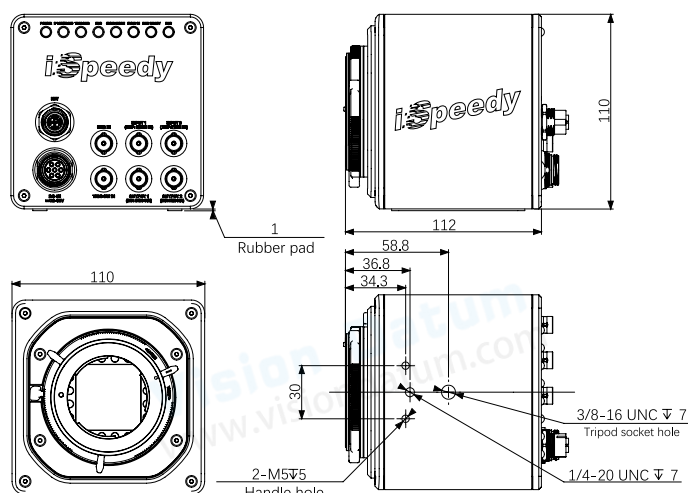
Camera	iSpeedy20MT50M/C-SE
Resolution [H*V]	2560×1920
Full Frame Rate	2000fps
Max Frame Rate	365000fps
Min Exposure Time	100ns
Pixel Size	7.8um
Standard RAM	16G、32G、64G、128G (Optional)
Extended Memory	/
Shutter	Global
Dynamic Range	60dB
Analog Gain	×2、×4、×8
Sensitivity	ISO23000(Mono); ISO8000(Color)
Bit Depth	8bit / 10bit / 12bit
Color	Mono / Color
Data Interface	10 Gigabit Ethernet, Adaptive Gigabit Ethernet
Lens Mount	E interface, can be connected to F/C/EF interface
Trigger Mode	Manual, IO, Image
External Signal	Input: trigger (TTL/switch) signal, synchronization signal, ready signal, event signal, IRIGB signal Output: trigger signal, synchronization signal, ready signal
Dimensions & Weight	90D×110W×110H (<1.8kg)
Operating Temperature/Humidity	Standard -10~50 °C , below 95% (without condensation), customizable -40~65 °C wide temperature version
Power Supply	DC24V@<30W

Performance

Resolution	Frame Rate	Record time (memory)			
		16GB	32GB	64GB	128GB
2560×1920	2000fps	1.7s	3.4s	6.9s	13.9s
2560×1440	2700fps	1.7s	3.4s	6.9s	13.9s
2560×960	4000fps	1.7s	3.4s	6.9s	13.9s
2560×512	7500fps	1.7s	3.4s	6.9s	13.9s
2560×128	39800fps	1.7s	3.5s	7.0s	14.0s
2560×8	365000fps	2.2s	4.5s	9.1s	18.3s

*Recording time with 8bit grayscale.

Dimensions



No.8, Xiyuan 9th Road West Lake District, Hangzhou 310030 China
Tel: 86-571-86888309, 86-571-86888307
Web: www.visiondatum.com Email: market@visiondatum.com

