

UP To 14000 fps

- 2MP @2000 fps
- Support up to 64 memory partitions
- Support up to 24TB optional memory
- 10GigE data interface, compatible with GigE
- Automatic triggering of image changes

ISPEEDY20MT20M/C



Applied range • Sports Technology • Digital Referee • Vehicle Crash Test • Flame Image Analysis • Blast Research • Fluid Analysis

Camera	iSpeedy20MT20M/C
Resolution [H*V]	2048×1024
Full Frame Rate	2000fps
Max Frame Rate	14000fps
Min Exposure Time	1us
Pixel Size	9um
Standard RAM	40G, 80G, 160G, 320G (Optional)
Extended Memory	4T, 12T, 24T (Optional)
Shutter	Global
Dynamic Range	64dB
Analog Gain	×2、×4、×8
Sensitivity	ISO10000(Mono); ISO3000(Color)
Bit Depth	8bit / 10bit / 12bit
Color	Mono / Color
Data Interface	10 Gigabit Ethernet, Adaptive Gigabit Ethernet
Lens Mount	E interface, can be connected to F/C/EF interface
Trigger Mode	Manual, IO, Image
External Signal	Input: trigger (TTL/switch) signal, synchronization signal, ready signal, event signal, IRGB code signal Output: trigger (TTL/switch) signal, synchronization signal, ready signal, exposure signal, recording signal
Dimensions & Weight	217D×110W×110H (3.8kg)
Operating Temperature/Humidity	Standard -10~50 °C , below 95% (without condensation), customizable -40~65 °C wide temperature version
Power Supply	Dual power supply, DC24V@55W

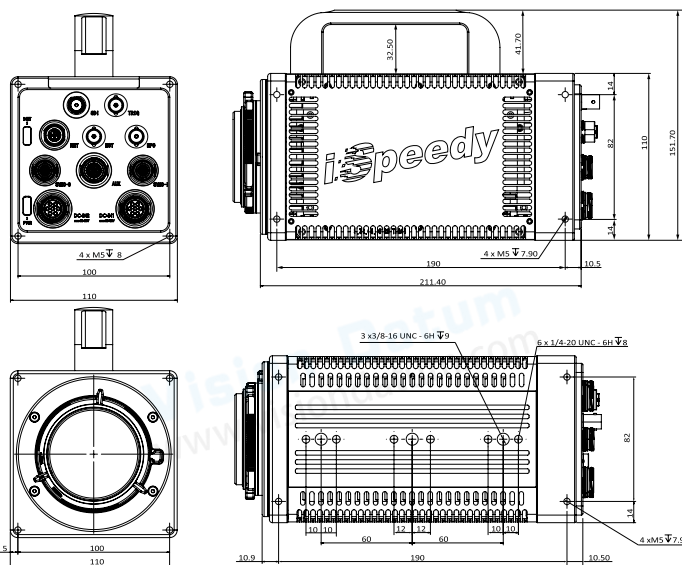
Performance

Resolution	Frame Rate	Record time (memory)			Record time (hard disk)		
		40GB	80GB	160GB	4TB	12TB	24TB
2048×1024	2000fps	10.2s	20.4s	40.8s	17min	54min	102min
2048×768	2500fps	10.9s	21.8s	43.6s	18min	54min	109min
2048×512	3000fps	13.6s	27.2s	54.4s	22min	67min	154min
2048×256	4500fps	18.2s	36.4s	72.8s	30min	90min	180min
2048×128	5600fps	29s	58s	116s	48min	144min	288min
2048×64	12000fps	27.2s	54.4s	108.8s	45min	136min	272min
2048×32	14000fps	46.8s	93.6s	187.2s	78min	234min	468min

*Recording time with 8bit grayscale, the 320GB version records twice as long as 160GB.

*The hard disk version supports full resolution full frame rate real-time storage.

Dimensions



No.8, Xiyuan 9th Road West Lake District, Hangzhou 310030 China
Tel: 86-571-86888309, 86-571-86888307
Web: www.visiondatum.com Email: market@visiondatum.com

