

UP To 1150000 fps

- 1.3MP @15800 fps
- Support up to 64 memory partitions
- 10GigE data interface, compatible with GigE
- Automatic triggering of image changes

ISPEEDY158MT13M/C



Applied range • Sports Technology • Digital Referee • Vehicle Crash Test • Flame Image Analysis • Blast Research • Fluid Analysis

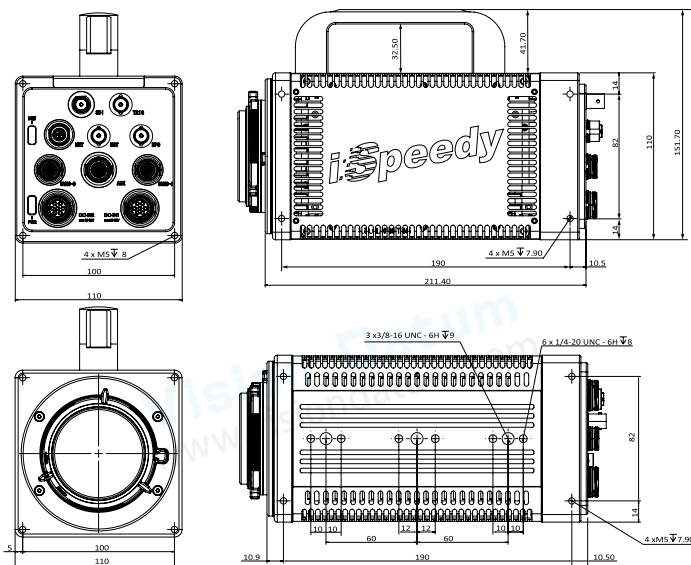
Camera	iSpeedy158MT13M/C
Resolution [H*V]	1280×1024
Full Frame Rate	15800fps
Max Frame Rate	1150000fps
Min Exposure Time	100ns
Pixel Size	14.6um
Standard RAM	40G, 80G, 160G, 320G (Optional)
Extended Memory	/
Shutter	Global
Dynamic Range	60dB
Analog Gain	×2、×4、×8
Sensitivity	ISO67000(Mono); ISO23000(Color)
Bit Depth	8bit / 10bit / 12bit
Color	Mono / Color
Data Interface	10 Gigabit Ethernet, Adaptive Gigabit Ethernet
Lens Mount	E interface, can be connected to F/C/EF interface
Trigger Mode	Manual, IO, Image
External Signal	Input: trigger (TTL/switch) signal, synchronization signal, ready signal, event signal, IRIGB code signal Output: trigger (TTL/switch) signal, synchronization signal, ready signal, exposure signal, recording signal
Dimensions & Weight	217D×110W×110H (3.8kg)
Operating Temperature/ Humidity	Standard -10~50 °C , below 95% (without condensation), customizable -40~65 °C wide temperature version
Power Supply	Dual power supply, DC24V@55W

Performance

Resolution	Frame Rate	Record time (memory)		
		40GB	80GB	160GB
1280×1024	15800FPS	2s	4s	8s
1280×808	20000FPS	2s	4s	8s
1280×512	31500FPS	2s	4s	8s
1280×256	62500FPS	2s	4s	8s
1280×128	121000FPS	2s	4s	8s
1280×64	221000FPS	2.3s	4.7s	9.5s
1280×8	1150000FPS	3.6s	7.2s	14.4s

*Recording time with 8bit grayscale, the 320GB version records twice as long as 160GB.

Dimensions



No.8, Xiyuan 9th Road West Lake District, Hangzhou 310030 China
Tel: 86-571-86888309, 86-571-86888307
Web: www.visiondatum.com Email: market@visiondatum.com

