

UP To 14000 fps

- 5.1MP @1000 fps
- Support up to 64 memory partitions
- Support up to 24TB optional memory
- 10GigE data interface, compatible with GigE
- Automatic triggering of image changes

ISPEEDY10MT51M/C



Applied range • Sports Technology • Digital Referee • Vehicle Crash Test • Flame Image Analysis • Blast Research • Fluid Analysis

Camera	iSpeedy10MT51M/C
Resolution [H*V]	2560×2016
Full Frame Rate	1000fps
Max Frame Rate	14000fps
Min Exposure Time	1us
Pixel Size	9um
Standard RAM	40G, 80G, 160G, 320G (Optional)
Extended Memory	4T, 12T, 24T (Optional)
Shutter	Global
Dynamic Range	64dB
Analog Gain	×2、×4、×8
Sensitivity	ISO10000(Mono); ISO3000(Color)
Bit Depth	8bit / 10bit / 12bit
Color	Mono / Color
Data Interface	10 Gigabit Ethernet, Adaptive Gigabit Ethernet
Lens Mount	E interface, can be connected to F/C/EF interface
Trigger Mode	Manual, IO, Image
External Signal	Input: trigger (TTL/switch) signal, synchronization signal, ready signal, event signal, IRGB code signal Output: trigger (TTL/switch) signal, synchronization signal, ready signal, exposure signal, recording signal
Dimensions & Weight	217D×110W×110H (3.8kg)
Operating Temperature/Humidity	Standard -10~50 °C , below 95% (without condensation), customizable -40~65 °C wide temperature version
Power Supply	Dual power supply, DC24V@55W

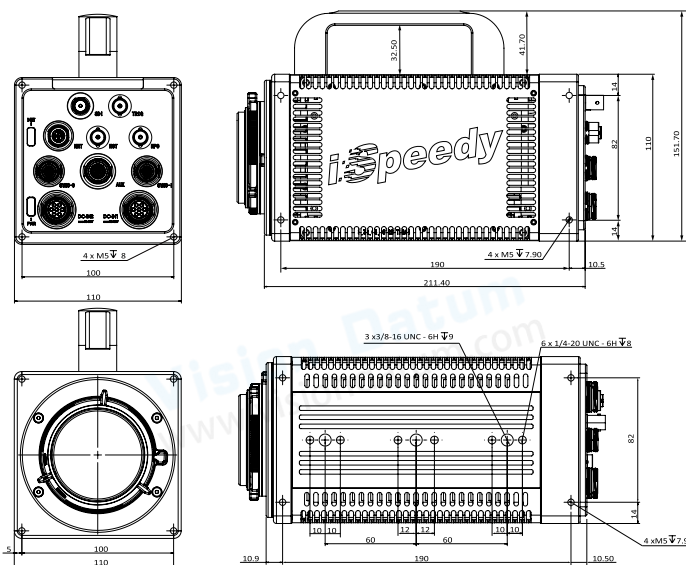
Performance

Resolution	Frame Rate	Record time (memory)			Record time (hard disk)		
		40GB	80GB	160GB	4TB	12TB	24TB
2560×2016	1000fps	8s	16s	32s	13min	41min	83min
2560×1536	1400fps	7.8s	15s	31s	13min	39min	78min
2560×1280	1600fps	8s	16s	32s	13min	40min	81min
2560×512	3000fps	10.8s	21.4s	42.8s	18min	54min	109min
2560×256	4500fps	14.4s	28.8s	57.6s	24min	72min	145min
2560×128	5600fps	23.5s	47s	94s	39min	117min	234min
2560×32	14000fps	37s	74s	148s	62min	187min	374min

※Recording time with 8bit grayscale,the 320GB version records twice as long as 160GB.

※The hard disk version supports full resolution full frame rate real-time storage.

Dimensions



No.8, Xiyuan 9th Road West Lake District, Hangzhou 310030 China
Tel: 86-571-86888309, 86-571-86888307
Web: www.visiondatum.com Email: market@visiondatum.com

