

UP To 73000 fps

- 1.3MP @1000 fps
- Support up to 64 memory partitions
- Support up to 4TB optional memory
- 10GigE data interface, compatible with GigE
- Automatic triggering of image changes

ISPEEDY10MT13M/C-SE



Applied range • Sports Technology • Digital Referee • Vehicle Crash Test • Flame Image Analysis • Blast Research • Fluid Analysis

Camera	iSpeedy10MT13M/C-SE
Resolution [H*V]	1280×1024
Full Frame Rate	1000fps
Max Frame Rate	73000fps
Min Exposure Time	100ns
Pixel Size	14.6um
Standard RAM	16G、32G、64G、128G (Optional)
Extended Memory	1.2T、2T、4T (Optional)
Shutter	Global
Dynamic Range	60dB
Analog Gain	×2、×4、×8
Sensitivity	ISO56000(Mono); ISO21000(Color)
Bit Depth	8bit / 10bit / 12bit
Color	Mono / Color
Data Interface	10 Gigabit Ethernet, Adaptive Gigabit Ethernet
Lens Mount	E interface, can be connected to F/C/EF interface
Trigger Mode	Manual, IO, Image
External Signal	Input: trigger (TTL/switch) signal, synchronization signal, ready signal, event signal, IRIGB signal Output: trigger signal, synchronization signal, ready signal
Dimensions & Weight	90D×110W×110H (<1.8kg)
Operating Temperature/Humidity	Standard -10~50 °C , below 95% (without condensation), customizable -40~65 °C wide temperature version
Power Supply	DC24V@<30W

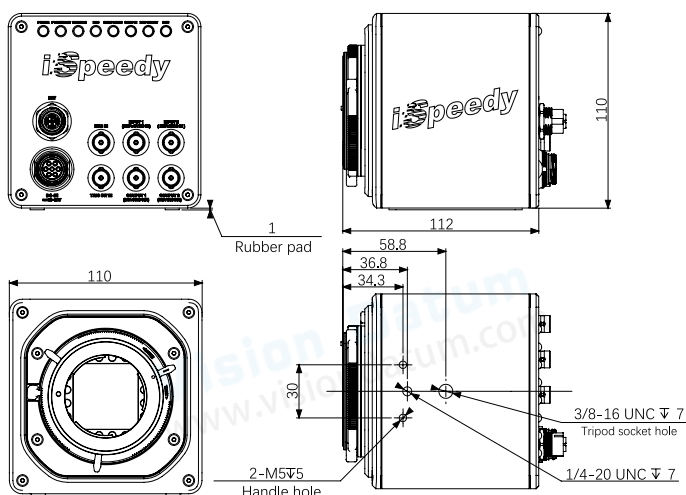
Performance

Resolution	Frame Rate	Record time (memory)			Record time (hard disk)		
		16GB	32GB	64GB	1.2TB	2TB	4TB
1280×1024	1000fps	13s	26s	52s	16min	27min	55min
1280×768	1300fps	13s	26s	52s	17min	28min	57min
1280×512	2000fps	13s	26s	52s	17min	28min	57min
1280×256	3900fps	13s	26s	52s	17min	28min	57min
1280×128	7700fps	13s	26s	52s	17min	28min	57min
1280×8	73000fps	23s	46s	92s	29min	49min	98min

*Recording time with 8bit grayscale, the 128GB version records twice as long as 64GB.

*The hard disk version supports real-time writing at up to 31Gbps.

Dimensions



No.8, Xiyuan 9th Road West Lake District, Hangzhou 310030 China

Tel: 86-571-86888309, 86-571-86888307

Web: www.visiondatum.com

Email: market@visiondatum.com

