



Mars2300S-40um/uc

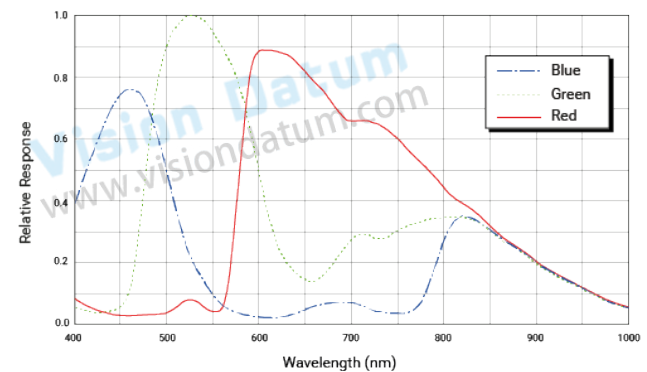
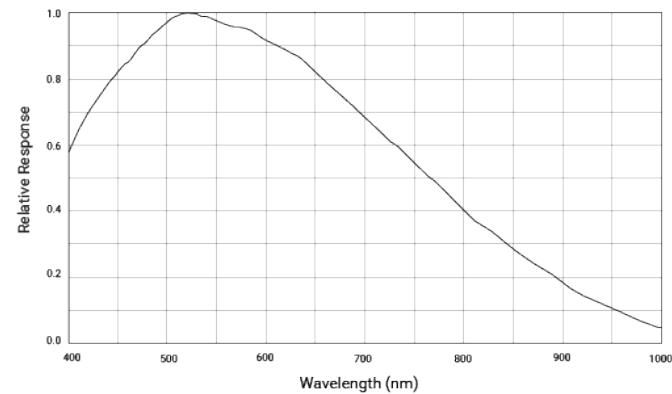
- 2.3MP @38.7 fps
- USB 3.0 interface with plug and play capability, USB3.0 power supply
- Compatible with USB3 Vision Protocol, GenICam Standard, and the third-party software based on these protocol and standard
- Support Windows、Linux
- 128 MB local memory for burst transmission and retransmission



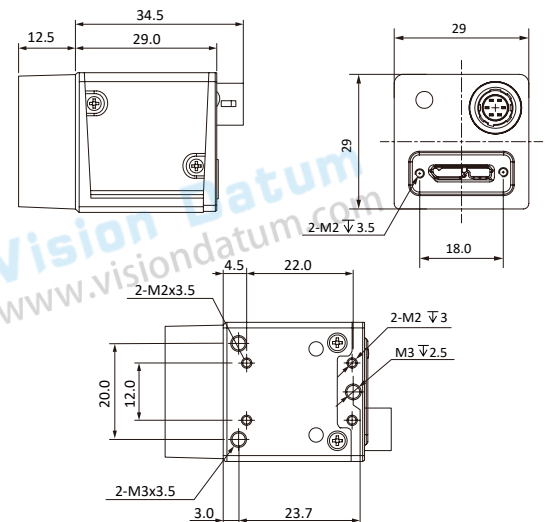
Applied range • Defect Detection • Surface Patch Detection • Visual Positioning • Size Measuring • QR Code Reading • VR/AR • Logistics

Camera	Mars2300S-40um/uc
Resolution [H*V]	1920 × 1200
Sensor	Sony IMX249
Sensor Size	1/1.2"
Sensor Technology	Global, CMOS
Pixel Size [μm]	5.86 × 5.86
Frame Rate [fps]	38.7
Data Bit	12bit
Exposure Time	34μs~1s
Dynamic Range	>70dB
Mono/Color	Mono/Color
Image Format	Mono:Mono8/10/10P Color:BayerRG8/10/10P;BayerGB8/10/10P
Interface	USB 3.0
Synchronization	Via hardware trigger、software trigger or free run mode
Housing Size [l*w*h]	29.0 × 29.0 × 29.0 mm (60g)
Operating Temperature	-30~80 ° C (Storage), -30~50° C (Working)
Lenses Mount	C-Mount
Digital I/O	Opto-isolated input x 1, opto-isolated output x 1, and bi-directional custom non-isolated I/O x 1
Power Input	DC 9-24V, Supporting USB
Power Consumption	12V@ ≈ 3.0W
Driver	Mars Series Camera Software Suite or 3rd party USB3 Vision Software
Operating System	Windows, Linux
Conformity	USB3 Vision, GenICam

Spectral Response



Dimensions



No.8, Xiyuan 9th Road West Lake District, Hangzhou 310030 China
 Tel: 86-571-86888309, 86-571-86888307
 Web: www.visiondatum.com Email: market@visiondatum.com

