



GigE Camera

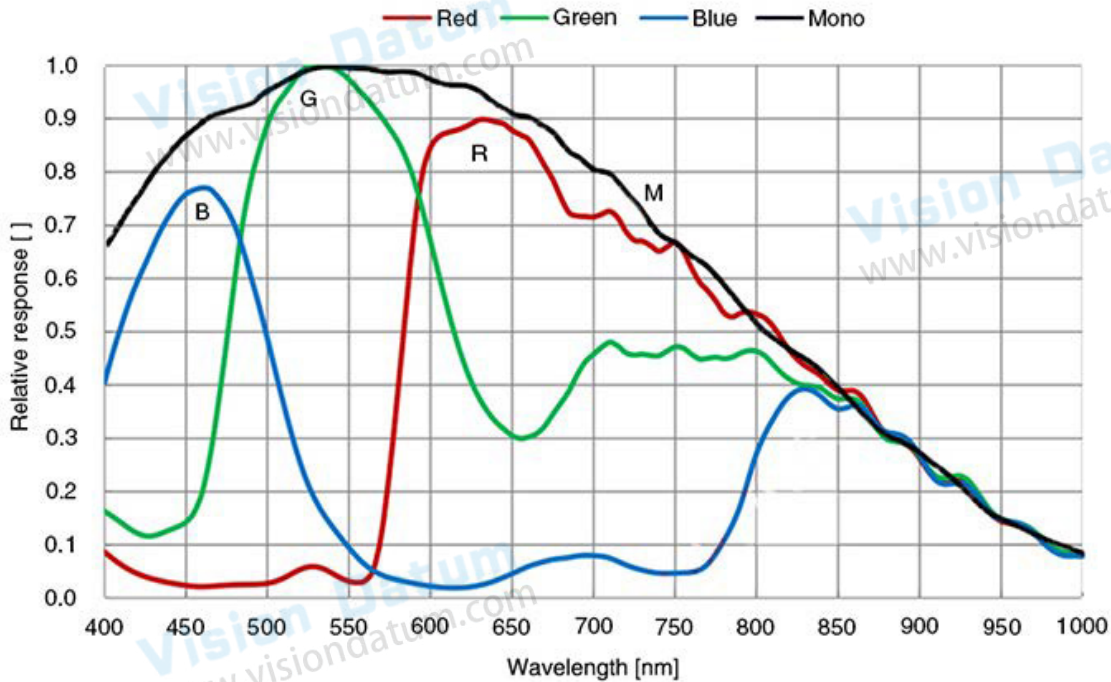
- 20MP@5.9 fps/24MP@4.9 fps
- Gigabit Ethernet bus, supporting long-distance data transmission (maximum transmission distance up to 100m), with optional POE power supply
- Compliant with GigE Vision V2.0 protocol and GenICam standard
- Supports Windows and Linux operating platforms
- 256MB on-board cache for data transmission in burst mode or image retransmission



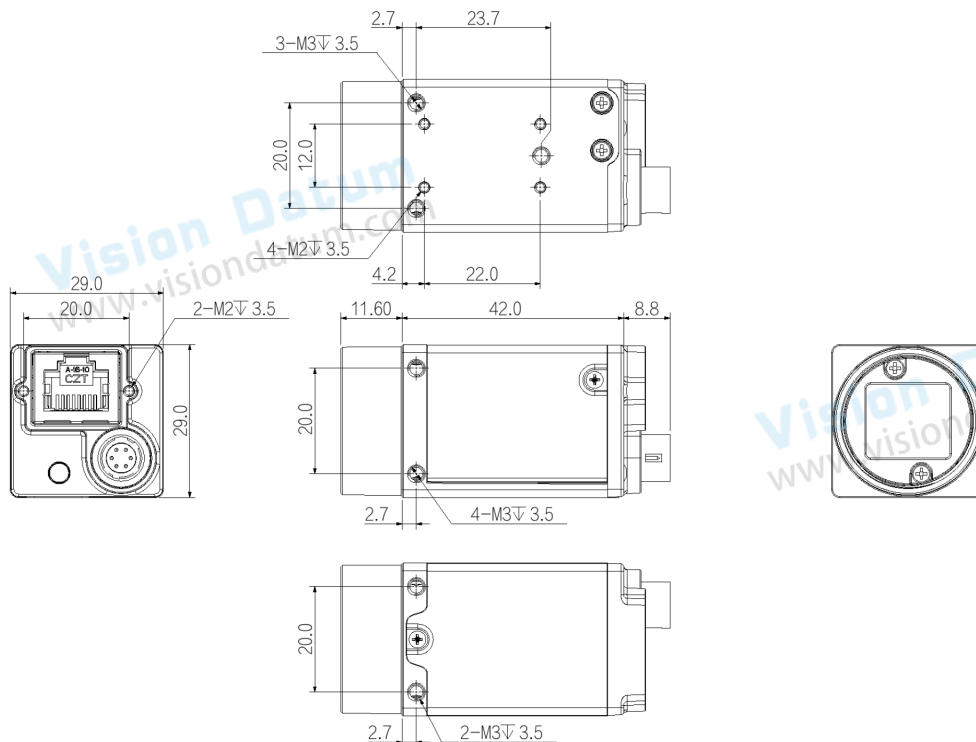
Applied range • Defect Detection • Surface Patch Detection • Visual Positioning • Size Measuring • QR Code Reading • VR/AR • Logistics

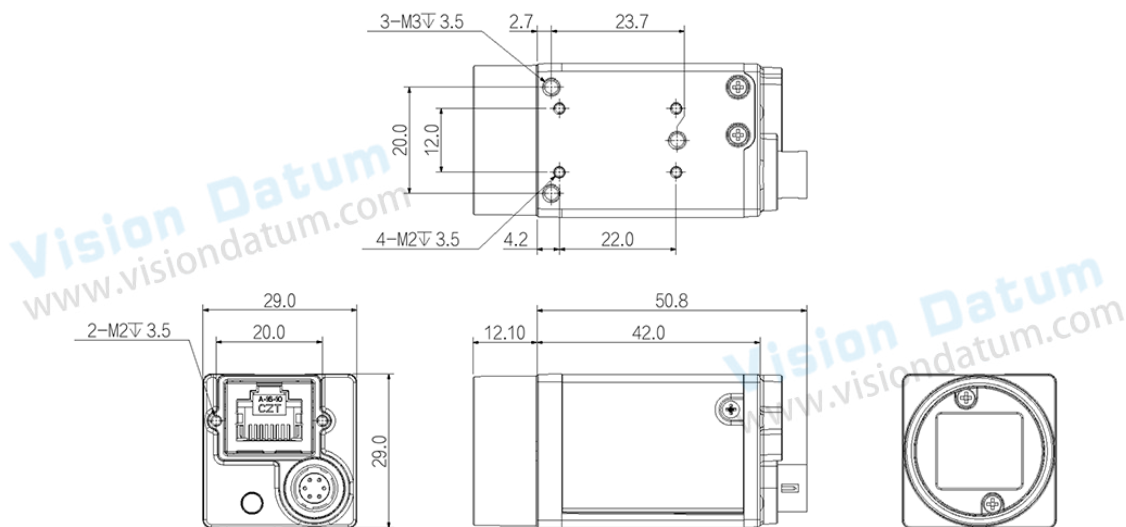
产品型号	iCt90MG200A-Pro	iCt90CG200A-Pro	iCt90MG240A-Pro	iCt90CG24A-Pro
Resolution	4504×4504		5328×4608	
Sensor	Sony IMX541		Sony IMX540	
Sensor Size	1.2"			
Sensor Technology	CMOS, Global			
Frame Rate	5.9 fps (8 fps with lossless compression)		4.9 fps (7 fps with lossless compression)	
Bit Depth	12 bit			
Mono/Color	Mono	Color	Mono	Color
Pixel Size	2.74 μm × 2.74 μm			
S/N Ratio	40 dB			
Dynamic Range	71 dB			
Image Format	Mono8/10/10Packed/ Mono12/Mono12Packed	Mono 8/10/12, Bayer RG 8/10/10Packed/12 /12Packed,YUV422_8_ UYVY,YUV422_8,RGB8,BGR8	Mono8/10/10Packed/ Mono12/Mono12Packed	Mono 8/10/12, Bayer RG 8/10/10Packed/12 /12Packed,YUV422_8_ UYVY,YUV422_8,RGB8,BGR8
Binning	off/onebytwo/twobyone/twobytwo/onebyfour/fourbyone/twobyfour/fourbytwo/fourbyfour/ThreebyThree/onebySix/SixbyOne/SixbySix			
Exposure Time	Ultra-short: 1 μs ~ 2.4 μs; Standard: 28 μs ~ 10 sec			
Acquisition Modes	SW Trigger / HW Trigger / Free Run			
SPC	Supported			
User Profiles	Supports saving 3 sets of user-defined configurations			
Cache	256MB			
Interface	GigE, PoE			
GPIO	66-core Hirose connector: 1 optically isolated input, 1 optically isolated output, 1 configurable input/output without optical isolation			
Lens Mount	C-mount			
Power Supply	PoE power supply/DC power supply via Hirose interface, voltage range 9V to 24V			
Power Consumption	12 VDC ≈ 2.60W(typical)		12 VDC ≈ 2.40W(typical) 12 VDC ≈ 2.50W(typical)	
Dimension	29 mm×29 mm×42 mm / 98 g (excluding lens mount and rear connector)			
Operating Temperature	0°C ~ +50°C (Operating) , -30°C ~ +80°C (Storage)			

Spectral Response



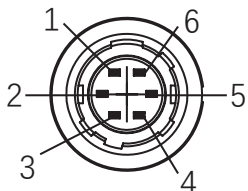
Dimensions





iCt90CG240A-Pro

IO Interface Definitions



Color	Pin	Signal	Description
Red	1	-	+9~24VDC Camera Power
Green	2	Line1	Opto-coupler Isolated Input
White	3	Line2	GPIO(Non-isolated software configurable input and output I/O)
Blue	4	Line0	Opto-coupler Isolated Output
Brown	5	-	Opto-coupler Isolation Signal Ground (ISO_GND)
Black	6	-	DC Camera Power Ground and GPIO Signal Ground (GND)



The wire color of this user manual is the color of Vision Datum. If you use other manufacturers' cable color definitions may be different, random connection may cause the camera to burn out, please connect according to the I/O port type and pin definition or contact our technical staff for advise.

Vision Datum offers suitable cables, contact your sales representative to order cables.

