

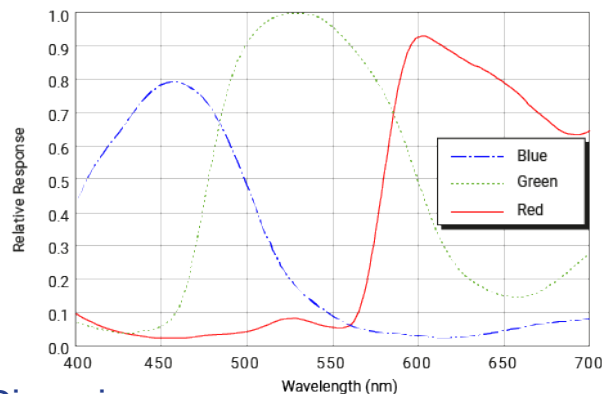
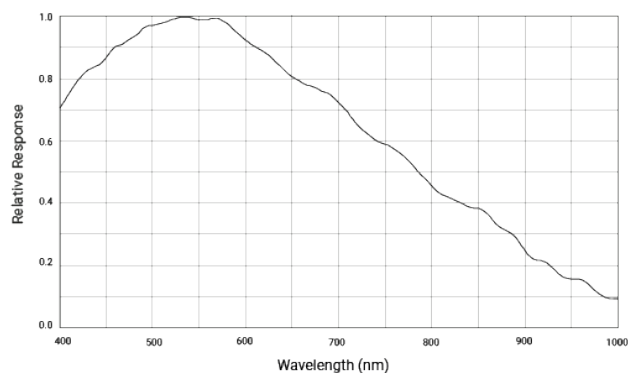
- 20MP @5.8 fps
- Adopts GigE interface and max. transmission distance of 100 meters without relay
- Compatible with GigE Vision Protocol, GenICam Standard, and the third-party software based on these protocol and standard
- Support Windows、Linux
- 128 MB local memory for burst transmission and retransmission



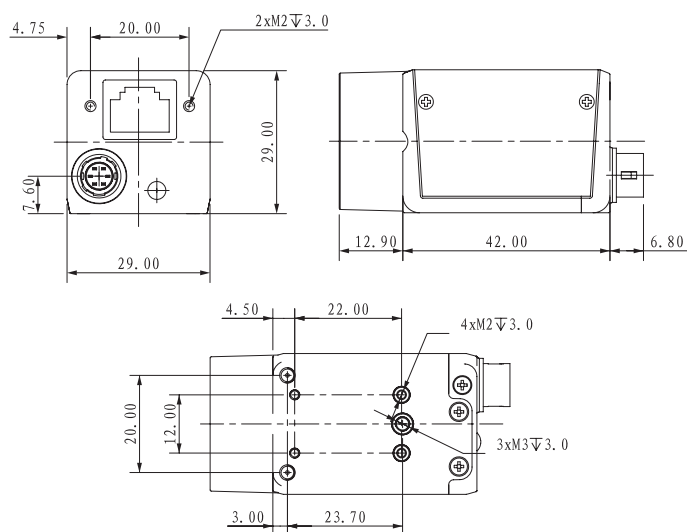
Applied range • Defect Detection • Surface Patch Detection • Visual Positioning • Size Measuring • QR Code Reading • VR/AR • Logistics

Camera	Mars5470S-5gm/gc
Resolution [H*V]	5472 x 3648
Sensor	Sony IMX183
Sensor Size	1"
Sensor Technology	Rolling, CMOS
Pixel Size [μm]	2.4 x 2.4
Frame Rate [fps]	5.8
Data Bit	10bit
Exposure Time	187 μs ~1s
Dynamic Range	66dB
Mono/Color	Mono/Color
Image Format	Monochrome: Mono8/10/10Packed Color: Mono8,BayerRG8/10/10Packed, BayerGB8/10/10Packed,YUV422Packed
Interface	GigE
Synchronization	Via hardware trigger、software trigger or free run mode
Programmable Control [ISP]	Image resolution、RGB Gain、Exposure time、Contrast ratio、Gamma form、Image rollovers、Raw、LUT、Black level correction
Housing Size [l*w*h]	29.0 x 29.0 x 42.0 mm (88g)
Operating Temperature	-30~80 ° C (Storage), -30~50° C (Working)
Lenses Mount	C-Mount
Digital I/O	Opto-isolated input x 1, opto-isolated output x 1, and bi-directional custom non-isolated I/O x 1
Power Input	DC 6-24V, Supporting PoE
Power Consumption	12V @ \approx 3.4W
Driver	Mars Series Camera Software Suite (iCentral) or 3rd party GigE Vision Software
Operating System	Windows, Linux
Conformity	GigE Vision, GenICam

Spectral Response



Dimensions



No.8, Xiyuan 9th Road West Lake District, Hangzhou 310030 China
 Tel: 86-571-86888309, 86-571-86888307
 Web: www.visiondatum.com Email: market@visiondatum.com

