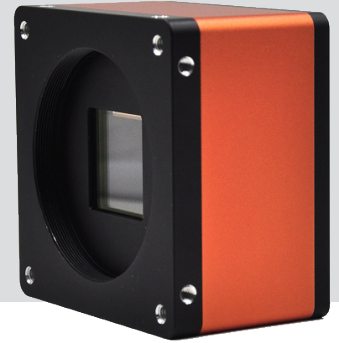




Mars25MG-90xm/xc-M58

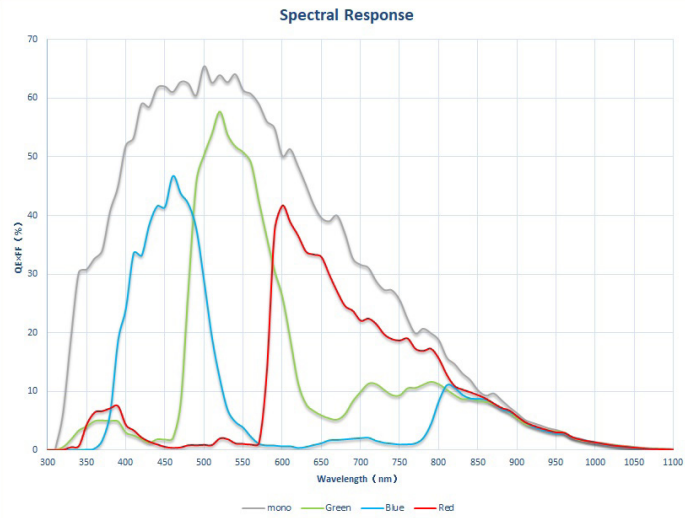
- 25MP @90 fps
- CoaXPRESS uses CXP-6, theoretical bandwidth 4 x 6.25Gbps
- Compatible with CoaXPRESS Protocol, GenICam Standard, and the third-party software based on these protocol and standard
- Support Windows operating platform
- Support PoCXP power supply and DC 24V power supply

Applied range • Printing • Textile • Railway • Logistics • Metallurgy • Food • Pharmaceutical • Material sorting

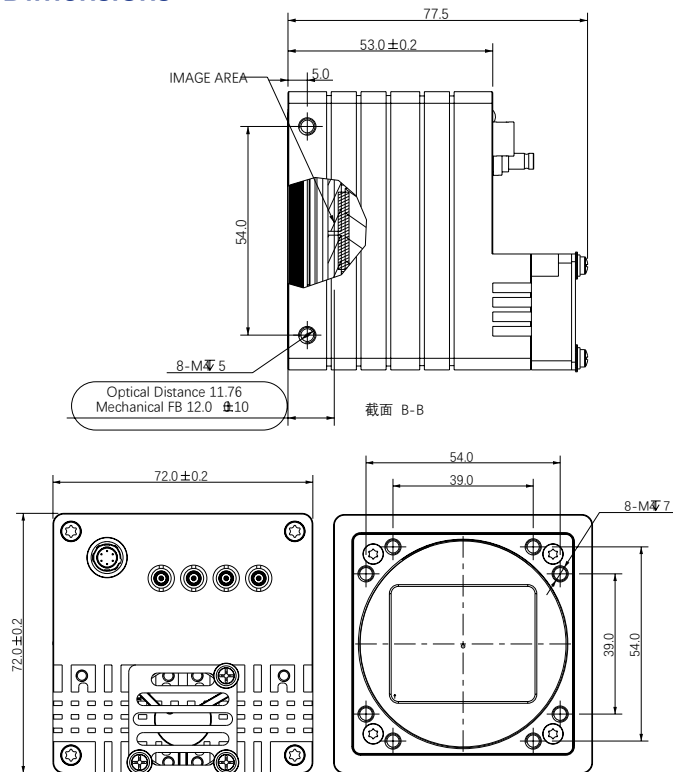


Camera	Mars25MG-90xm/xc-M58
Resolution [H*V]	5120 x 5120
Sensor	GMAX0505
Pixel Size [μm]	2.5 x 2.5
Frame Rate [fps]	90
Data Bit	10bit
Exposure Time	15 μs ~5s
Dynamic Range	63dB
Mono/Color	Mono / Color
Image Format	Mono: Mono8/10/12 Color: BayerGR8/10/12, BayerRG8/10/12, BayerGB8/10/12, BayerBG8/10/12
Interface	CoaXPRESS
Synchronization	Via hardware trigger, software trigger or free run mode
Programmable Control [ISP]	Image resolution, RGB Gain, Exposure time, Gamma form, Image rollovers, Raw, LUT, Black level correction
Housing Size [l*w*h]	72.0 x 72.0 x 68.0 mm (720g)
Operating Temperature	-30~80 ° C (Storage), -30~50° C (Working)
Lenses Mount	M58*0.75(FBL 12)
Digital I/O	Opto-isolated input x 3, opto-isolated output x 3, and RS232 x 1
Power Input	PoCXP / DC 24V
Power Consumption	24V@ \approx 13W
Driver	Frame Grabber control software compliant with CoaXPRESS protocol
Operating System	Windows
Conformity	CoaXPRESS, GenICam

Spectral Response



Dimensions



No.8, Xiyuan 9th Road West Lake District, Hangzhou 310030 China
 Tel: 86-571-86888309, 86-571-86888307
 Web: www.visiondatum.com Email: market@visiondatum.com

