



Mars12MD-85xm-C

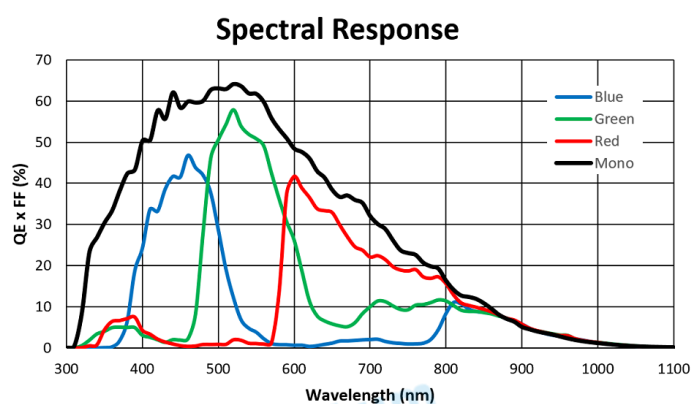
- 12MP @85 fps
- CoaXPRESS uses CXP-6, theoretical bandwidth 2 x 6.25Gbps
- Compatible with CoaXPRESS Protocol, GenCam Standard
- Support Windows operating platform
- Support DC 24V / PoCXP power supply



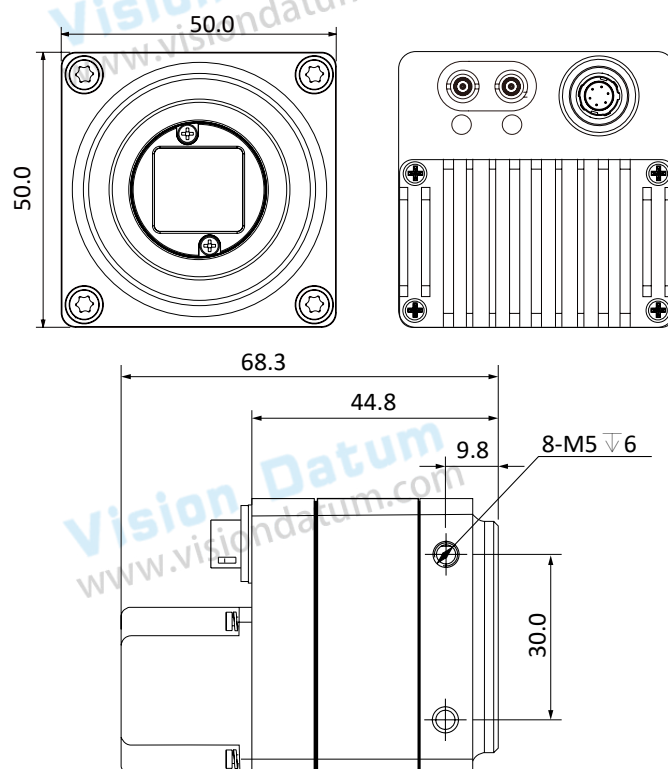
**Applied range** • Printing • Textile • Railway • Logistics • Metallurgy • Food • Pharmaceutical • Material sorting

Camera	Mars12MD-85xm-C
Resolution [H*V]	4096 × 3072
Sensor	/
Sensor Size	11.27 mm × 10.24 mm
Sensor Technology	CMOS, Global
Pixel Size [μm]	2.5 × 2.5
Frame Rate [fps]	85
Data Bit	12bit
Exposure Time	8μs~5s
Dynamic Range	66.9dB
Mono/Color	Mono
Image Format	Mono8/10/12
Interface	CoaXPRESS
Synchronization	Via hardware trigger、software trigger or free run mode
Housing Size [l*w*h]	50 × 50 × 44.8mm (240g)
Operating Temperature	-30~80 ° C (Storage), -30~40° C (Working)
Lens Mount	C-mount
Digital I/O	Opto-isolated input x 3, opto-isolated output x 3, and RS232 x 1
Power Input	PoCXP / DC 24V
Power Consumption	24V@ ≈ 7.8W
Driver	Frame Grabber control software compliant with CoaXPRESS protocol
Operating System	Windows
Conformity	CoaXPRESS, GenCam

### Spectral Response



### Dimensions



No.8, Xiyuan 9th Road West Lake District, Hangzhou 310030 China  
 Tel: 86-571-86888309, 86-571-86888307  
 Web: [www.visiondatum.com](http://www.visiondatum.com) Email: [market@visiondatum.com](mailto:market@visiondatum.com)

