



Mars8000S-27cc

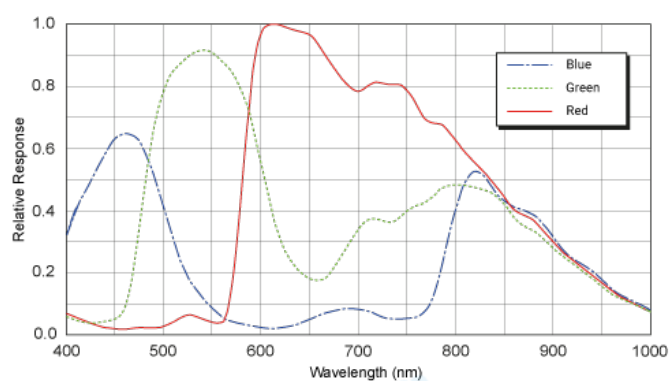
- 8MP @27fps
- Compatible with Cameralink protocol and GenICam standard
- Supports Base mode, up to 2.5Gbps theoretical bandwidth
- Support Windows operating platform
- Support DC 24V / PoCL power supply



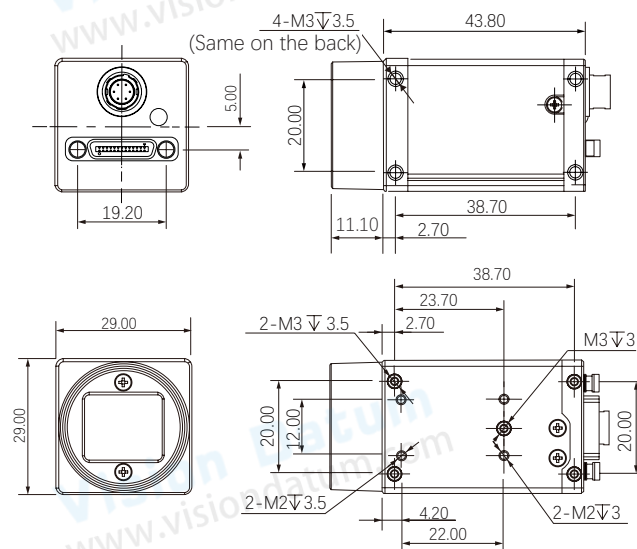
Applied range • Printing • Textile • Railway • Logistics • Metallurgy • Food • Pharmaceutical • Material sorting

Camera	Mars8000S-27cc
Resolution [H*V]	4096 x 2160
Sensor	IMX267
Sensor Size	1"
Sensor Technology	CMOS, Global
Pixel Size [μm]	3.45 x 3.45
Frame Rate [fps]	27
Data Bit	8bit
Exposure Time	29 μs ~1s
Dynamic Range	>70dB
Mono/Color	Color
Image Format	BayerGB8
Pixel clock	34M/51M/68M/85M
Interface	Cameralink
Synchronization	Via hardware trigger、software trigger or free run mode
Housing Size [l*w*h]	29.0 x 29.0 x 43.8 mm (80g)
Operating Temperature	-30~80 ° C (Storage), -30~50° C (Working)
Lens Mount	C-Mount
Digital I/O	Opto-isolated input x 1, opto-isolated output x 1, and bi-directional custom non-isolated I/O x 1
Power Input	PoCL, DC 9-24V
Power Consumption	12V@2.4W
Driver	Mars Series Camera Software Suite (iCentral) or 3rd Party Cameralink Protocol Software
Operating System	Windows
Conformity	Cameralink, GenICam

Spectral Response



Dimensions



No.8, Xiyuan 9th Road West Lake District, Hangzhou 310030 China
 Tel: 86-571-86888309, 86-571-86888307
 Web: www.visiondatum.com Email: market@visiondatum.com

