



Mars5000S-30cm

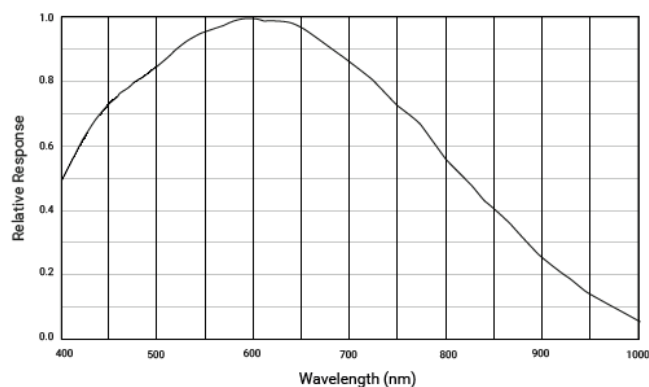
- 5MP @30.2fps
- Compatible with Cameralink protocol and GenICam standard
- Support triggering via CameraLink frame grabber
- Support Windows operating platform
- Support DC 24V power supply



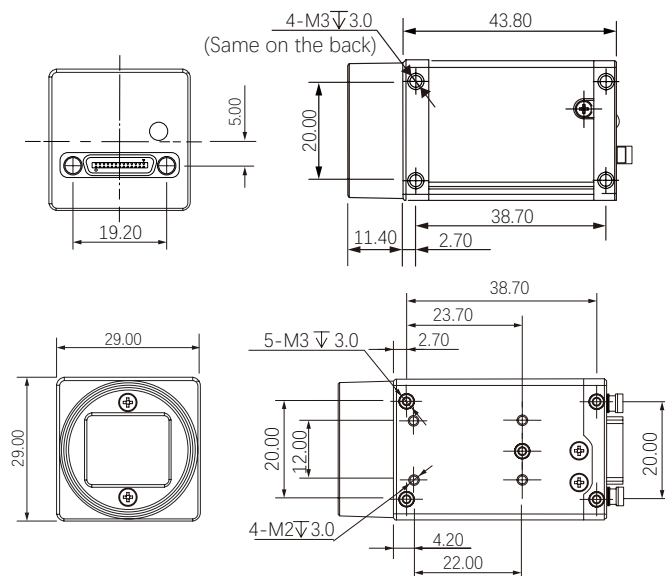
**Applied range** • Printing • Textile • Railway • Logistics • Metallurgy • Food • Pharmaceutical • Material sorting

Camera	Mars5000S-30cm
Resolution [H*V]	2448 x 2048
Sensor	Sony IMX264
Sensor Size	2/3"
Pixel Size [ $\mu\text{m}$ ]	3.45 x 3.45
Frame Rate [fps]	30.2
Data Bit	10bit
Exposure Time	16 $\mu\text{s}$ ~1S
Dynamic Range	70dB
Mono/Color	Mono
Image Format	Mono8/10
Interface	Cameralink
Synchronization	Via hardware trigger、software trigger or free run mode
Programmable Control [ISP]	Image resolution、Exposure time、Gamma form、Image rollovers、Raw、LUT、Black level correction
Housing Size [l*w*h]	29.0 x 29.0 x 43.8 mm (80g)
Operating Temperature	-30~80 ° C (Storage), -30~50° C (Working)
Lenses Mount	C-Mount
Digital I/O	/
Power Input	PoCL, DC 6-24V
Power Consumption	12V@2.3W
Driver	Mars Series Camera Software Suite (iCentral) or 3rd Party Cameralink Protocol Software
Operating System	Windows
Conformity	Cameralink, GenICam

### Spectral Response



### Dimensions



No.8, Xiyuan 9th Road West Lake District, Hangzhou 310030 China  
 Tel: 86-571-86888309, 86-571-86888307  
 Web: [www.visiondatum.com](http://www.visiondatum.com) Email: [market@visiondatum.com](mailto:market@visiondatum.com)

