



Mars5000S-150cm/cc

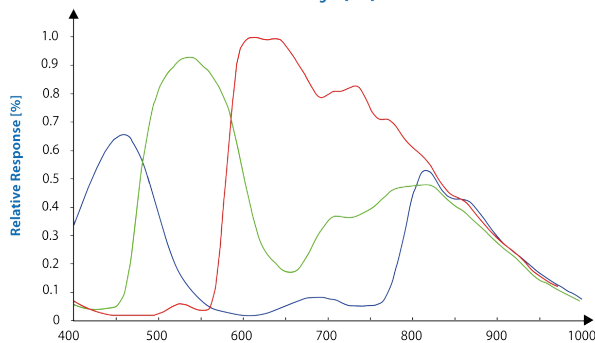
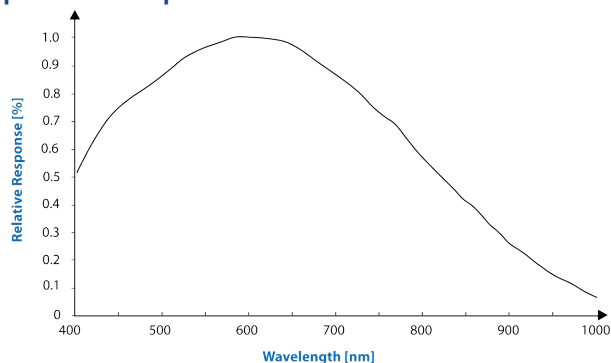
- 5MP @150 fps
- Compatible with Cameralink protocol and GenICam standard
- Support triggering via CameraLink frame grabber
- Support Windows operating platform
- Support DC 24V power supply



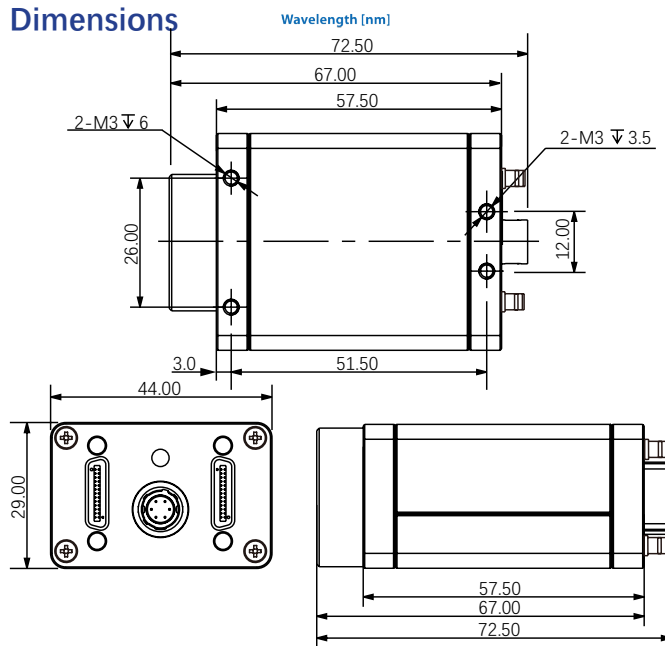
Applied range • Printing • Textile • Railway • Logistics • Metallurgy • Food • Pharmaceutical • Material sorting

| Camera | Mars5000S-150cm/cc |
|------------------------------|---|
| Resolution [H*V] | 2448 x 2048 |
| Sensor | Sony IMX250 |
| Sensor Size | 2/3" |
| Pixel Size [μm] | 3.45 x 3.45 |
| Frame Rate [fps] | 150 |
| Data Bit | 8bit |
| Exposure Time | 8 μs ~1S |
| Dynamic Range | 70dB |
| Mono/Color | Mono / Color |
| Image Format | Monochrome: Mono8 Color: BayerRG8/BayerGB8 |
| Interface | Cameralink |
| Synchronization | Via hardware trigger、software trigger or free run mode |
| Programmable Control [ISP] | Image resolution、RGB Gain、 Exposure time、 Gamma form、 Image rollovers、 Raw、 LUT、 Black level correction |
| Housing Size [l*w*h] | 29.0 × 44.0 × 58.0 mm (100g) |
| Operating Temperature | -30~80 ° C (Storage), -30~50° C (Working) |
| Lenses Mount | C-Mount |
| Digital I/O | Opto-isolated input x 1, opto-isolated output x 1, and bi-directional custom non-isolated I/O x 1 |
| Power Input | PoCL, DC 6-24V |
| Power Consumption | 12V@3.0W |
| Driver | Mars Series Camera Software Suite (iCentral) or 3rd Party Cameralink Protocol Software |
| Operating System | Windows |
| Conformity | Cameralink, GenICam |

Spectral Response



Dimensions



No.8, Xiyuan 9th Road West Lake District, Hangzhou 310030 China
 Tel: 86-571-86888309, 86-571-86888307
 Web: www.visiondatum.com Email: market@visiondatum.com

