



### Mars25MG-30cm

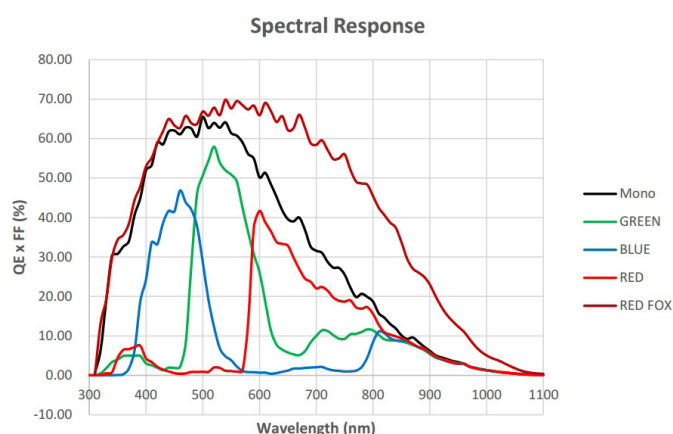
- 25MP @30 fps
- Compatible with Cameralink protocol and GenICam standard
- Support base/medium/Full/Deca mode
- Support Windows operating platform
- Support DC 24V / PoCL power supply



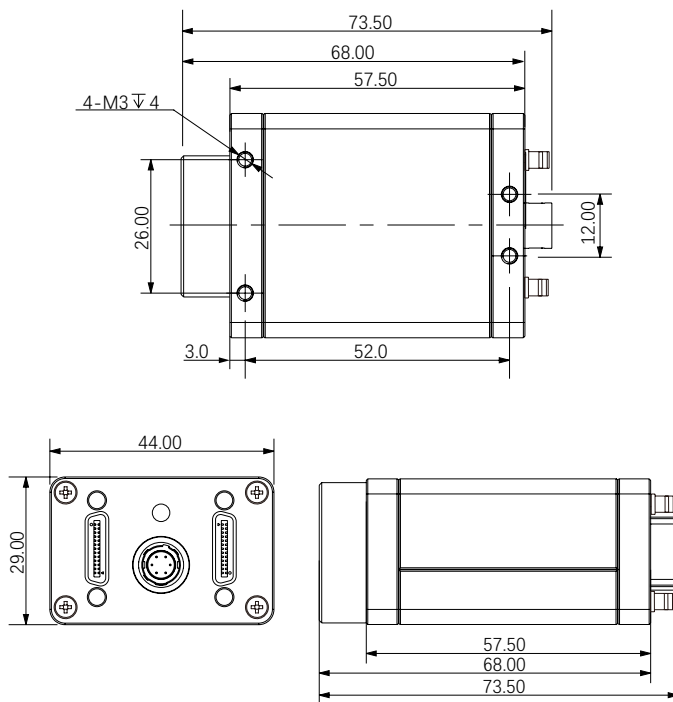
**Applied range** • Printing • Textile • Railway • Logistics • Metallurgy • Food • Pharmaceutical • Material sorting

Camera	Mars25MG-30cm
Resolution [H*V]	5120 × 5120
Sensor	Gpixel GMAX0505
Sensor Size	1.1"
Pixel Size [μm]	2.5 x 2.5
Frame Rate [fps]	30
Data Bit	10bit
Exposure Time	35μs~1s
Dynamic Range	>64dB
Mono/Color	Mono
Image Format	Mono8/10
Pixel Clock	34M/51M/68M/85M
Interface	Cameralink
Synchronization	Via hardware trigger, software trigger or free run mode
Programmable Control [ISP]	Image resolution, Exposure time, Gamma form, Image rollovers, Raw, LUT, Black level correction
Housing Size [l*w*h]	29.0 × 44.0 × 58.0 mm (100g)
Operating Temperature	-30~80 ° C (Storage), -30~50° C (Working)
Lenses Mount	C-Mount
Digital I/O	Opto-isolated input x 1, opto-isolated output x 1, and bi-directional custom non-isolated I/O x 1
Power Input	PoCL, DC 9-24V
Power Consumption	12V@4.0W
Driver	Mars Series Camera Software Suite (iCentral) or 3rd Party Cameralink Protocol Software
Operating System	Windows
Conformity	Cameralink, GenICam

### Spectral Response



### Dimensions



No.8, Xiyuan 9th Road West Lake District, Hangzhou 310030 China  
 Tel: 86-571-86888309, 86-571-86888307  
 Web: [www.visiondatum.com](http://www.visiondatum.com) Email: [market@visiondatum.com](mailto:market@visiondatum.com)

