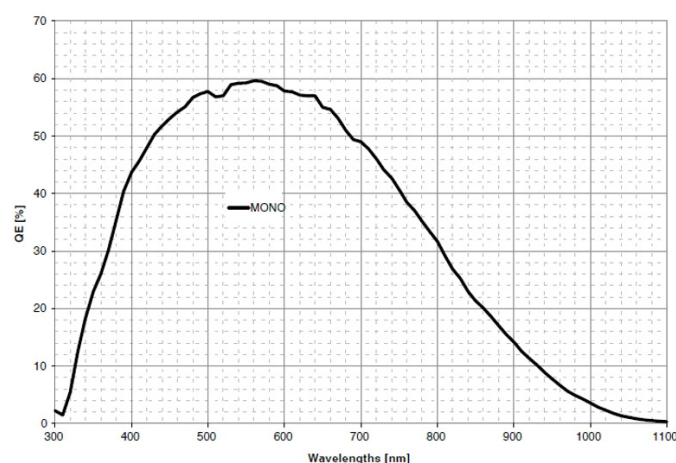


- 0.5MP @120 fps
- Adopts GigE interface and max. transmission distance of 100 meters without relay
- Compatible with GigE Vision Protocol, GenICam Standard, and the third-party software based on these protocol and standard.
- Support Windows、Linux
- GigE Board-Level Camera

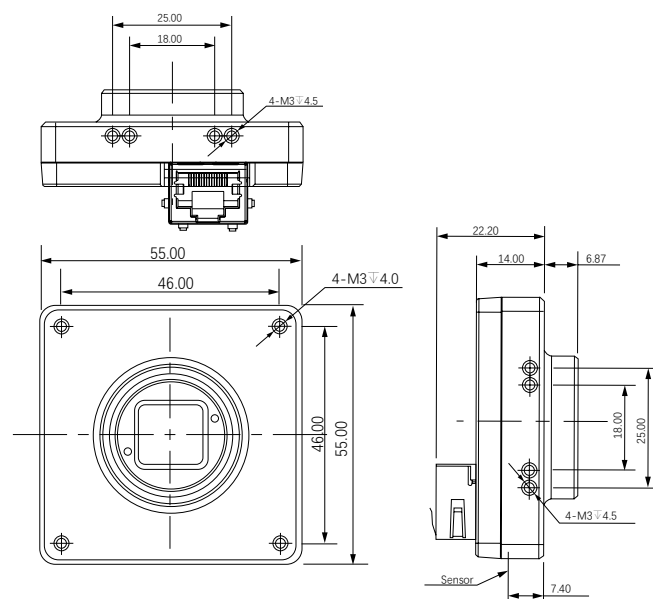
Applied range • Defect Detection • Surface Patch Detection • Visual Positioning • Size Measuring • QR Code Reading • VR/AR • Logistics

Camera	Mars800-120gm-BC-CS
Resolution [H*V]	800 x 600
Sensor	ON Semiconductor PYTHON480
Sensor Size	1/3.6"
Sensor Technology	Global, CMOS
Pixel Size [μm]	4.8 x 4.8
Frame Rate [fps]	120
Data Bit	10bit
Exposure Time	1 μs ~1s
Dynamic Range	60dB
Mono/Color	Mono
Image Format	Mono8/10/10Packed
Interface	GigE
Synchronization	Via hardware trigger、software trigger or free run mode
Programmable Control [ISP]	Image resolution、Exposure time、 Contrast ratio、 Gamma form、 Image rollovers、 Raw、 LUT、 Black level correction
Housing Size [l*w*h]	55.0 x 55.0 x 14.0 (60g)
Operating Temperature	-30~80 ° C (Storage), -30~50° C (Working)
Lenses Mount	CS-Mount
Digital I/O	8 pin socket interface: 1 Opto-isolated input, 1 Opto-isolated output,1 output without opto isolation
Power Input	DC6V~24V power supply through 8 pin Socket connector
Power Consumption	12V @2.8W
Driver	Mars Series Camera Software Suite (iCentral) or 3rd party GigE Vision Software
Operating System	Windows, Linux
Conformity	GigE Vision, GenICam

Spectral Response



Dimensions



No.8, Xiyuan 9th Road West Lake District, Hangzhou 310030 China
 Tel: 86-571-86888309, 86-571-86888307
 Web: www.visiondatum.com Email: market@visiondatum.com

