

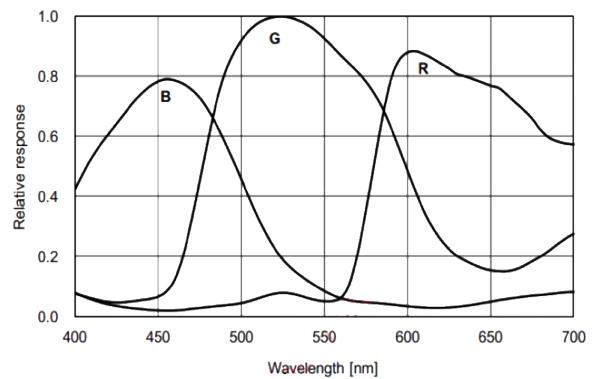
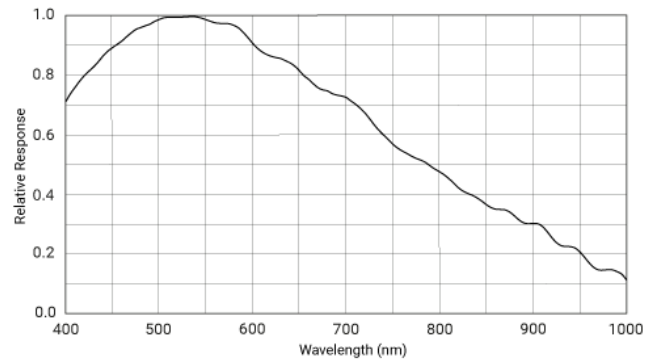


- 12MP @30 fps
- USB 3.0 interface with plug and play capability, USB3.0 power supply
- Compatible with USB3 Vision Protocol, GenICam Standard, and the third-party software based on these protocol and standard
- Support Windows、Linux
- USB3.0 Board-Level Camera

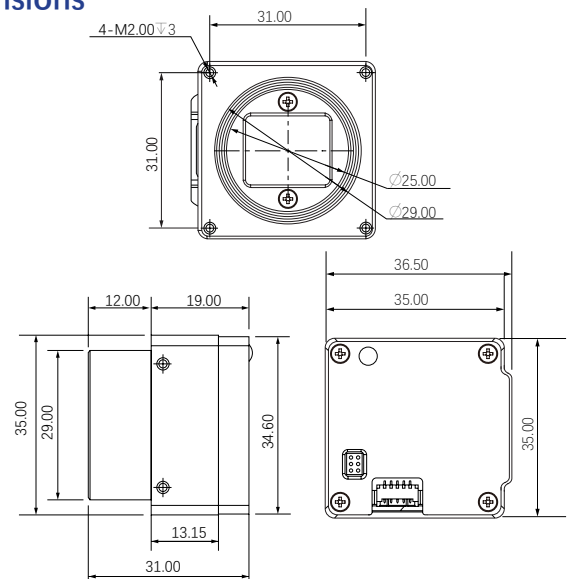
Applied range • Defect Detection • Surface Patch Detection • Visual Positioning • Size Measuring • QR Code Reading • VR/AR • Logistics

Camera	Mars4000S-30um/uc-BC
Resolution [H*V]	4000 x 3000
Sensor	Sony IMX226
Sensor Size	1/1.7"
Sensor Technology	Rolling, CMOS
Pixel Size [μm]	1.85 x 1.85
Frame Rate [fps]	30
Data Bit	10bit
Exposure Time	55 μs ~1s
Dynamic Range	66dB
Mono/Color	Mono
Image Format	Monochrome: Mono8/10/10Packed Color: BayerRG8/10/10Packed, BayerGB8/10/10Packed
Interface	USB3.0
Synchronization	Via hardware trigger、software trigger or free run mode
Programmable Control [ISP]	Image resolution、RGB Gain、Exposure time、Contrast ratio、Gamma form、Image rollovers、Raw、LUT、Black level correction
Housing Size [l*w*h]	35.0 x 35.0 x 19.0 (68g)
Operating Temperature	-30~80 ° C (Storage), -30~50° C (Working)
Lenses Mount	C-Mount
Digital I/O	5 pin trigger connector: Opto-isolated input x1, Opto-isolated output x1, configurable input and output x1
Power Input	DC 5V, Supporting USB
Power Consumption	5V@ \approx 2.8W
Driver	Mars Series Camera Software Suite or 3rd party USB3 Vision Software
Operating System	Windows,Linux
Conformity	USB3 Vision,GenICam

Spectral Response



Dimensions



No.8, Xiyuan 9th Road West Lake District, Hangzhou 310030 China
 Tel: 86-571-86888309, 86-571-86888307
 Web: www.visiondatum.com Email: market@visiondatum.com

