

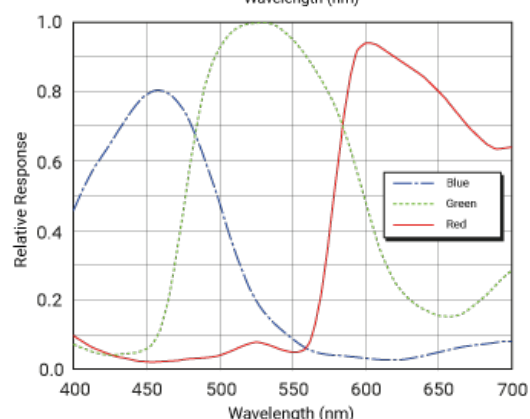
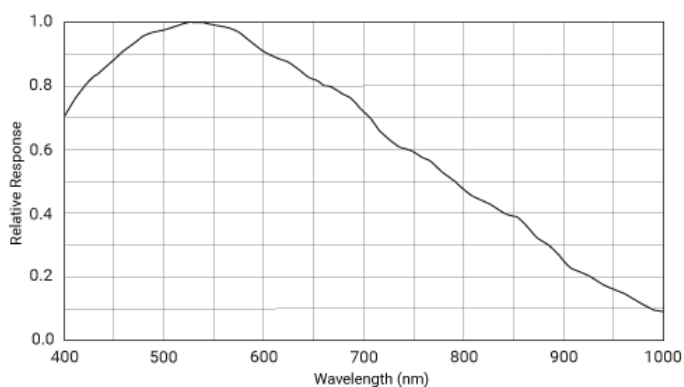
- 5MP resolution @42.7 fps
- USB 3.0 interface with plug and play capability, USB3.0 power supply
- Compatible with USB3 Vision Protocol, GenICam Standard, and the third-party software based on these protocol and standard.
- Support Windows and Linux



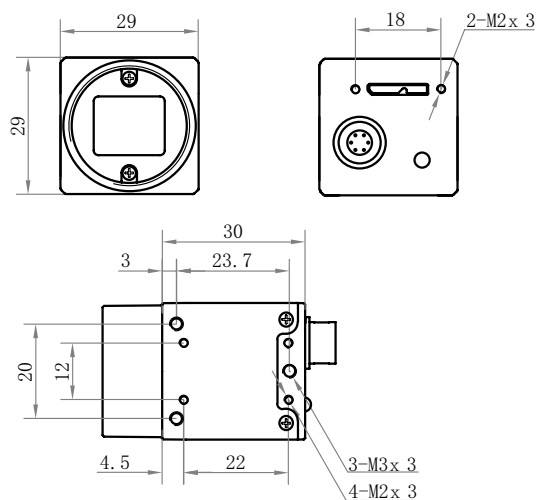
**Applied range** • Defect Detection • Surface Patch Detection • Visual Positioning • Size Measuring • QR Code Reading • VR/AR • Logistics

| Camera                     | LEO 6000S-43um/uc  |
|----------------------------|--|
| Resolution [H*V]           | 3072 × 2048  |
| Sensor                     | Sony IMX178  |
| Sensor Size                | 1/1.8"   |
| Sensor Technology          | Rolling, CMOS  |
| Pixel Size [μm]            | 2.4 × 2.4  |
| Frame Rate [fps]           | 42.7   |
| Data Bit                   | 8bit / 10bit / 12bit   |
| Exposure Time              | Monochrome: 16μs~1s<br>Color: 24μs~1s  |
| Dynamic Range              | >71dB  |
| Mono/Color                 | Mono/Color   |
| Image Format               | Monochrome: Mono8/10/10p/12/12p<br>Color: Mono 8/10/12,Bayer RG 8/10/10p/12/12p, YUV422Packed,YUV422_YUYV_Packed,RGB 8,BGR 8 |
| Interface                  | USB 3.0  |
| Synchronization            | Via hardware trigger、software trigger or free run mode   |
| Programmable Control [ISP] | Image resolution、RGB gain、Exposure time、Contrast ratio、Gamma form、Image rollovers、Raw、LUT、Black level correction             |
| Housing Size [l*w*h]       | 29.0 × 29.0 × 30.0 mm (55g)  |
| Operating Temperature      | -30~70 ° C (Storage), 0~50° C (Working)  |
| Lenses Mount               | C-Mount  |
| Digital I/O                | Opto-isolated input x 1, opto-isolated output x 1, and bi-directional custom non-isolated I/O x 1                            |
| Power Input                | DC 12V, Supporting USB   |
| Power Consumption          | 5V @2.7W   |
| Driver                     | LEO Series Camera Software Suite (iDatum) or 3rd party USB3 Vision Software  |
| Operating System           | Windows, Linux   |
| Conformity                 | USB3 Vision, GenICam   |

### Spectral Response



### Dimensions



No.8, Xiyuan 9th Road West Lake District, Hangzhou 310030 China  
 Tel: 86-571-86888309, 86-571-86888307  
 Web: [www.visiondatum.com](http://www.visiondatum.com) Email: [market@visiondatum.com](mailto:market@visiondatum.com)

