



LEO 5000A-45uc

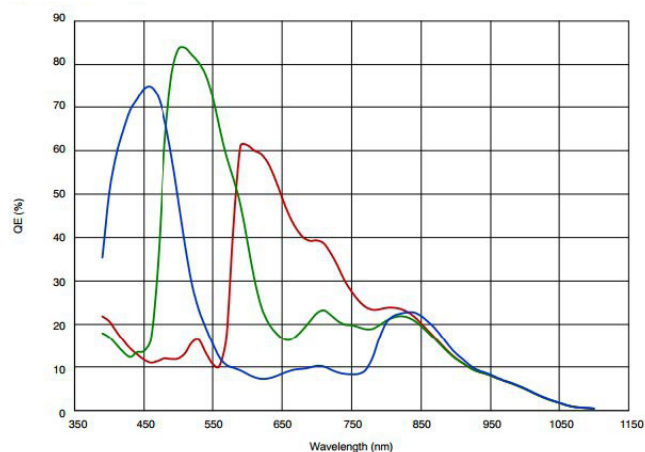
- 5MP resolution @44.7 fps
- USB 3.0 interface with plug and play capability, USB3.0 power supply
- Compatible with USB3 Vision Protocol, GenICam Standard, and the third-party software based on these protocol and standard.
- Support Windows and Linux



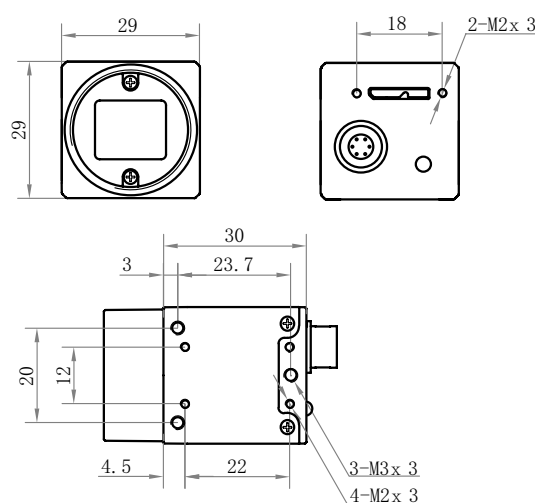
Applied range • Defect Detection • Surface Patch Detection • Visual Positioning • Size Measuring • QR Code Reading • VR/AR • Logistics

Camera	LEO 5000A-45uc
Resolution [H*V]	2592 × 1944
Sensor	Aptina AR0521
Sensor Size	1/2.5"
Sensor Technology	Rolling, CMOS
Pixel Size [μm]	2.2 × 2.2
Frame Rate [fps]	44.7
Data Bit	8bit / 10bit / 12bit
Exposure Time	28μs~0.6s
Dynamic Range	60dB
Mono/Color	Color
Image Format	Mono 8/10/12,Bayer GR 8/10/10p/12/12p, YUV422_YUYV_Packed,YUV 422 Packed,RGB 8,BGR 8
Interface	USB 3.0
Synchronization	Via hardware trigger、software trigger or free run mode
Programmable Control [ISP]	Image resolution、RGB gain、Exposure time、Contrast ratio、Gamma form、Image rollovers、Raw、LUT、Black level correction
Housing Size [l*w*h]	29.0 × 29.0 × 30.0 mm (55g)
Operating Temperature	-30~70 ° C (Storage), 0~50° C (Working)
Lenses Mount	C-Mount
Digital I/O	Opto-isolated input x 1, opto-isolated output x 1, and bi-directional custom non-isolated I/O x 1
Power Input	DC 12V, Supporting USB
Power Consumption	5V @2.5W
Driver	LEO Series Camera Software Suite (iDatum) or 3rd party USB3 Vision Software
Operating System	Windows, Linux
Conformity	USB3 Vision, GenICam

Spectral Response



Dimensions



No.8, Xiyuan 9th Road West Lake District, Hangzhou 310030 China
 Tel: 86-571-86888309, 86-571-86888307
 Web: www.visiondatum.com Email: market@visiondatum.com

