



LEO 1200H-30um/uc

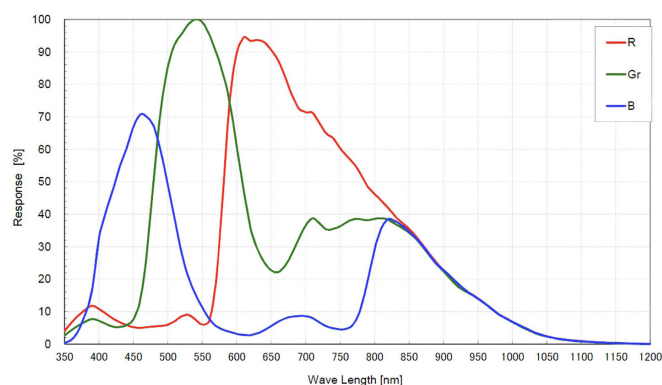
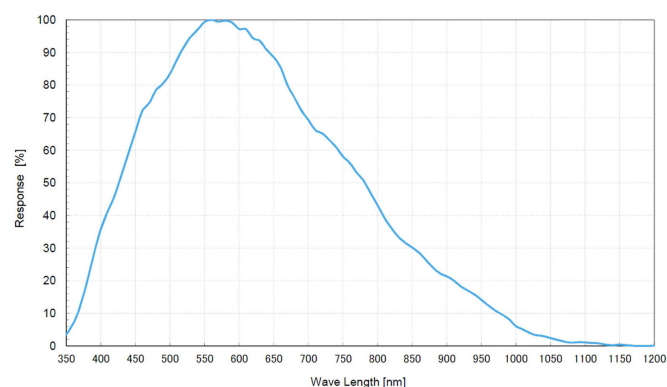
- 1.3MP resolution @30 fps
- USB 3.0 interface with plug and play capability, USB3.0 power supply
- Compatible with USB3 Vision Protocol, GenICam Standard, and the third-party software based on these protocol and standard.
- Support Windows and Linux



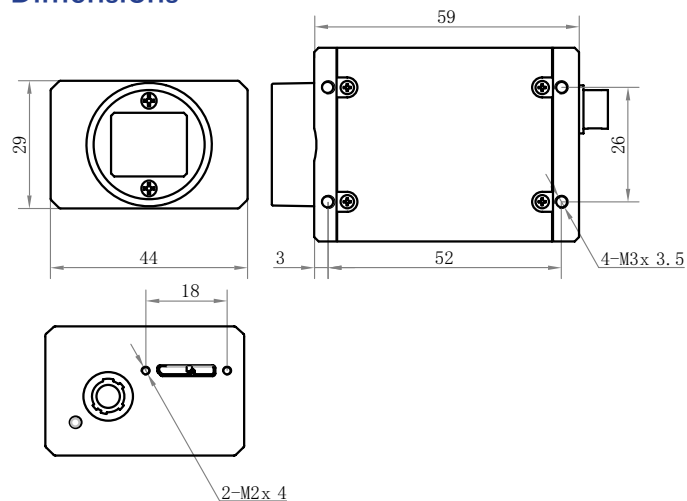
**Applied range** • Defect Detection • Surface Patch Detection • Visual Positioning • Size Measuring • QR Code Reading • VR/AR • Logistics

Camera	LEO 1200H-30um/uc
Resolution [H*V]	1280 × 960
Sensor	Sharp RJ33
Sensor Size	1/3"
Sensor Technology	Global, CCD
Pixel Size [μm]	3.75 × 3.75
Frame Rate [fps]	30
Data Bit	8bit / 10bit / 12bit
Exposure Time	10μs~1s
Dynamic Range	60dB
Mono/Color	Mono/Color
Image Format	Monochrome: Mono8/10/10p/12/12p Color: Mono 8/10/12,Bayer GR 8/10/10p/12/12p, YUV422Packed,YUV422_YUYV_Packed,RGB8
Interface	USB 3.0
Synchronization	Via hardware trigger、software trigger or free run mode
Programmable Control [ISP]	Image resolution、RGB gain、Exposure time、Contrast ratio、Gamma form、Image rollovers、Raw、LUT、Black level correction
Housing Size [l*w*h]	29 × 44 × 59 mm (100g)
Operating Temperature	-30~70 ° C (Storage), 0~50° C (Working)
Lenses Mount	C-Mount
Digital I/O	Opto-isolated input x 1, opto-isolated output x 1, and bi-directional custom non-isolated I/O x 1
Power Input	DC 12V, Supporting USB
Power Consumption	5V @2.5W
Driver	LEO Series Camera Software Suite or 3rd party USB3 Vision Software
Operating System	Windows, Linux
Conformity	USB3 Vision,GenICam

### Spectral Response



### Dimensions



No.8, Xiyuan 9th Road West Lake District, Hangzhou 310030 China  
 Tel: 86-571-86888309, 86-571-86888307  
 Web: [www.visiondatum.com](http://www.visiondatum.com) Email: [market@visiondatum.com](mailto:market@visiondatum.com)

