

### LEO2 6000S-60um/uc-P

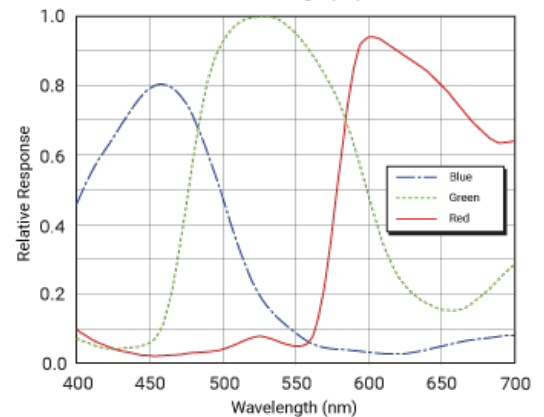
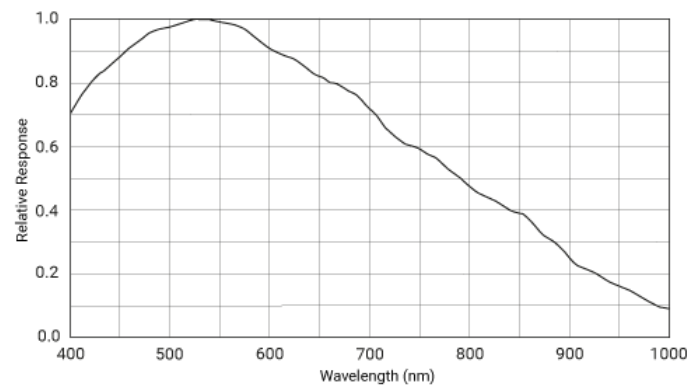
- 6MP resolution @59.6 fps
- USB 3.0 interface with plug and play capability, USB3.0 power supply
- Compatible with USB3 Vision Protocol, GenICam Standard, and the third-party software based on these protocol and standard
- Support Windows、Linux
- Support operation in low temperature environment
- Support lossless compression function



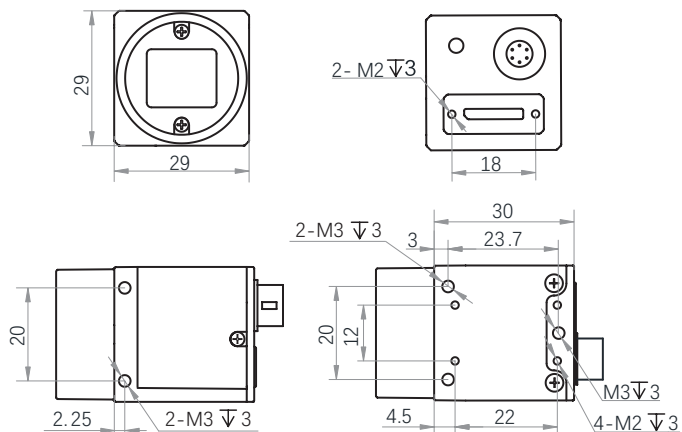
**Applied range** • Defect Detection • Surface Patch Detection • Visual Positioning • Size Measuring • QR Code Reading • VR/AR • Logistics

Camera	LEO2 6000S-60um/uc-P
Resolution [H*V]	3072 × 2048
Sensor	Sony IMX178
Sensor Size	1/1.8"
Sensor Technology	Rolling, CMOS
Pixel Pize [μm]	2.4 × 2.4
Rframe Rate [fps]	59.6
Data Bit	8bit / 10bit / 12bit
Exposure Time	8μs~1s
Dynamic Range	>71dB
Mono/Color	Mono/Color
Image Format	Monochrome: Mono8/10/10p/12/12p Color: Mono 8/10/12,Bayer RG 8/10/10p/12/12p, YUV422Packed,YUV422_YUYV_Packed,RGB 8,BGR 8
Interface	USB 3.0
Synchronization	Via hardware trigger、software trigger or free run mode
Programmable Control [ISP]	Image resolution、RGB gain、Exposure time、Contrast ratio、Gamma form、Image rollovers、Raw、LUT、Black level correction
Housing Size [l*w*h]	29.0 × 29.0 × 30.0 mm (55g)
Operating Temperature	-30~70 ° C (Storage), -30~60° C (Working)
Lenses Mount	C-Mount
Digital I/O	Opto-isolated input x 1, opto-isolated output x 1, and bi-directional custom non-isolated I/O x 1
Power Input	DC 9-24V, Supporting USB
Power Consumption	5V @<2.5W
Driver	LEO Series Camera Software Suite (iDatum) or 3rd party USB3 Vision Software
Operating System	Windows, Linux
Conformity	USB3 Vision, GenICam

### Spectral Response



### Dimensions



No.8, Xiyuan 9th Road West Lake District, Hangzhou 310030 China  
Tel: 86-571-86888309, 86-571-86888307  
Web: [www.visiondatum.com](http://www.visiondatum.com) Email: [market@visiondatum.com](mailto:market@visiondatum.com)

