



LEO 4096C-L29gc

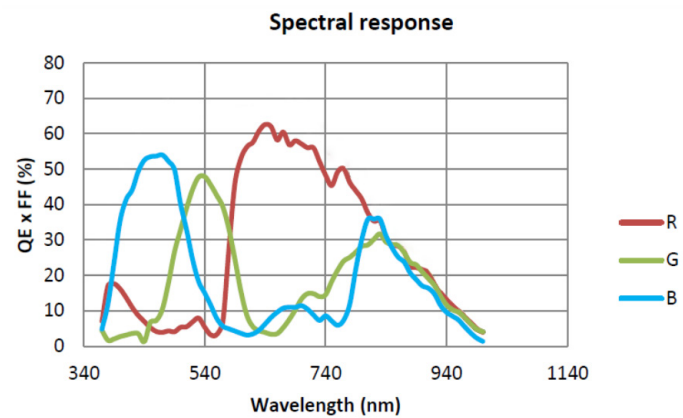
- 4K @29 KHz
- Adopts GigE interface and max. transmission distance of 100 meters without relay
- Compatible with GigE Vision Protocol, GenICam Standard, and the third-party software based on these protocol and standard
- Support Windows、Linux
- Up to 512 MB local memory for burst transmission and retransmission



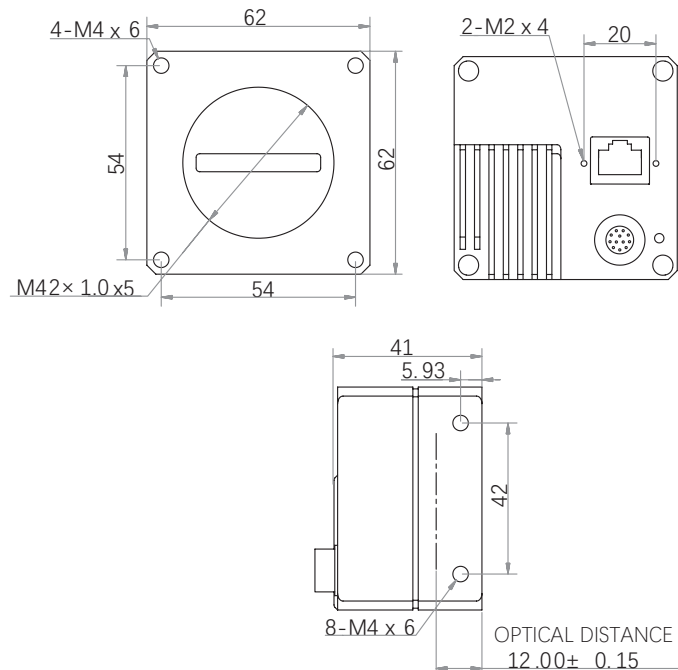
Applied range • Printing • Textile • Railway • Logistics • Metallurgy • Food • Pharmaceutical • Material sorting

| Camera | LEO 4096C-L29gc |
|----------------------------|--|
| Resolution [H*V] | 4096 × 2 |
| Sensor Type | CMOS |
| Pixel Pize [μm] | 7 × 7 |
| Line Frequency [KHz] | 29 kHz |
| Data Bit | 8bit / 10bit / 12bit |
| Exposure Time | 5μs~10ms |
| Dynamic Range | >65dB |
| Mono/Color | Color |
| Image Format | Mono 8/10/12,Bayer RG 8/10/10p/12/12p, YUV 422 Packed,YUV 422(YUYV)Packed,RGB 8,BGR 8 |
| Interface | GigE |
| Synchronization | Via hardware trigger、software trigger or free run mode |
| Programmable Control [ISP] | Image resolution、RGB gain、 Exposure time、 Gamma form、 Image rollovers、 Raw、 LUT、 Black level correction |
| Housing Size [l*w*h] | 62.0 × 62.0 × 41.0 mm (280g) |
| Operating Temperature | -30~80 ° C (Storage), -20~56° C (Working) |
| Lenses Mount | M42*1.0, BFL 12 mm |
| Digital I/O | Configurable differential or single-ended inputs x 2, Differential outputs x 2, and bi-directional configurable IO x 1 |
| Power Input | DC 12-24V, Supporting PoE |
| Power Consumption | 12V @7W |
| Driver | LEO Series Camera Software Suite (iDatum) or 3rd party GigE Vision Software |
| Operating System | Windows, Linux |
| Conformity | GigE Vision, GenICam |

Spectral Response



Dimensions



No.8, Xiyuan 9th Road West Lake District, Hangzhou 310030 China
 Tel: 86-571-86888309, 86-571-86888307
 Web: www.visiondatum.com Email: market@visiondatum.com

