

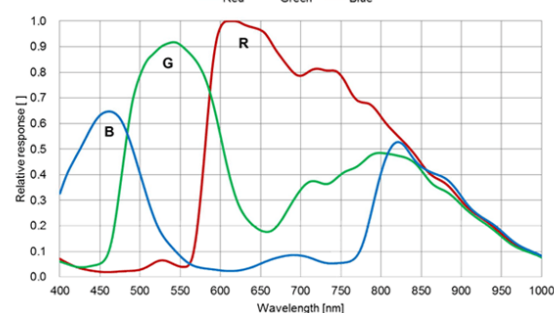
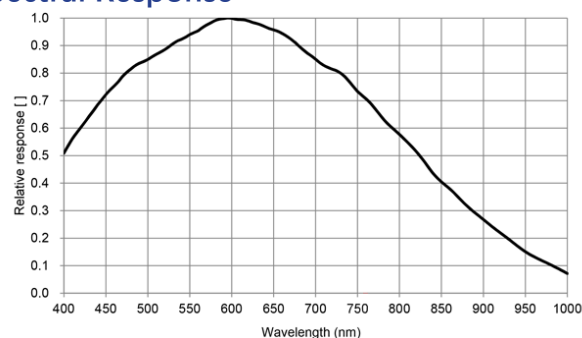
- 12MP resolution @68.3 fps
- 10GigE, compatible with GigE, supports long-distance data transmission
- Compatible with GigE Vision Protocol, GenICam Standard, and the third-party software based on these protocol and standard
- Support Windows
- Up to 1024 MB local memory for burst transmission and retransmission



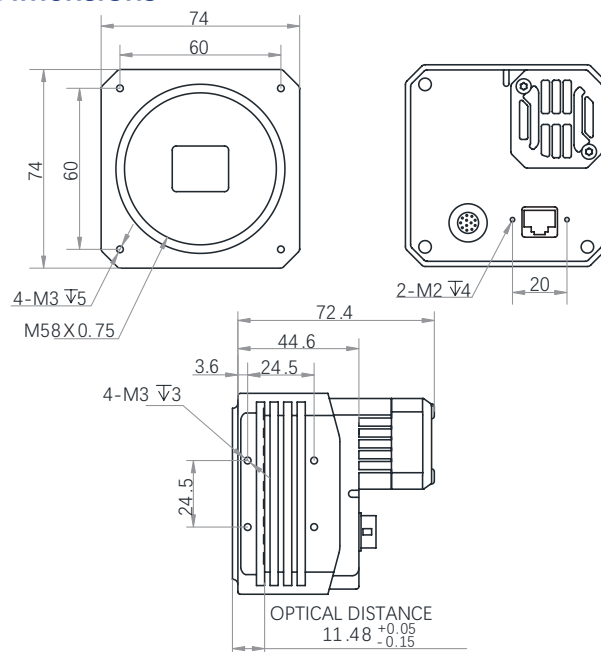
Applied range • Defect Detection • Surface Patch Detection • Visual Positioning • Size Measuring • QR Code Reading • VR/AR • Logistics

Camera	LEO 12MS-68Tgm/Tgc(V2)
Resolution [H*V]	4096 × 3000
Sensor	Sony IMX253
Sensor Size	1.1"
Sensor Technology	Global, CMOS
Pixel Size [μm]	3.45 × 3.45
Frame Rate [fps]	68.3
Data Bit	8bit / 10bit / 12bit
Exposure Time	15μs~10s
Dynamic Range	>71dB
Mono/Color	Mono/Color
Image Format	Mono: Mono 8/10/10Packed/12/12Packed Color: Mono 8,Bayer RG 8,YUV422Packed, YUV422_YUYV_Packed,RGB 8,BGR 8
Interface	10 GigE
Synchronization	Via hardware trigger、software trigger or free run mode
Programmable Control [ISP]	Image resolution、RGB gain、Exposure time、Contrast ratio、Gamma form、Image rollovers、Raw、LUT、Black level correction
Housing Size [l*w*h]	74 × 74 × 72.4 mm (550g)
Operating Temperature	-30~70 ° C (Storage), 0~50° C (Working)
Lenses Mount	M58, BFL 11.48 mm
Digital I/O	Opto-isolated input x 1, opto-isolated output x 1, bi-directional custom non-isolated I/O x 1,RS232 x 1
Power Input	DC 9-24V
Power Consumption	Mono: 24V @9.6W Color: 24V @10.1W
Driver	LEO Series Camera Software Suite (iDatum) or 3rd party GigE Vision Software
Operating System	Windows
Conformity	GigE Vision,GenICam

Spectral Response



Dimensions



No.8, Xiyuan 9th Road West Lake District, Hangzhou 310030 China
Tel: 86-571-86888309, 86-571-86888307
Web: www.visiondatum.com Email: market@visiondatum.com

