



LEO2 4096G-L19gc

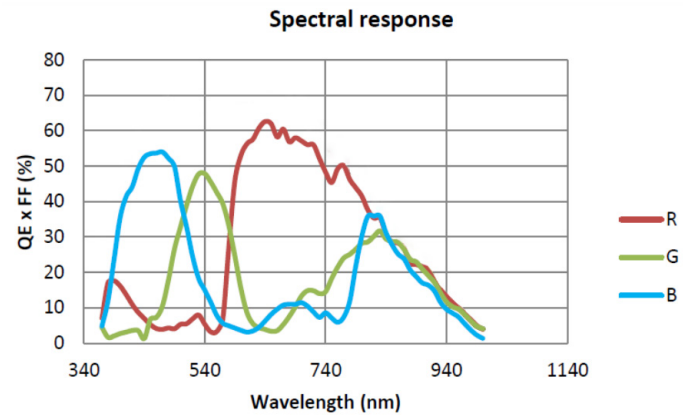
- 4K @19 KHz
- Adopts GigE interface and max. transmission distance of 100 meters without relay
- Compatible with GigE Vision Protocol, GenICam Standard, and the third-party software based on these protocol and standard
- Support Windows、Linux
- Up to 512 MB local memory for burst transmission and retransmission



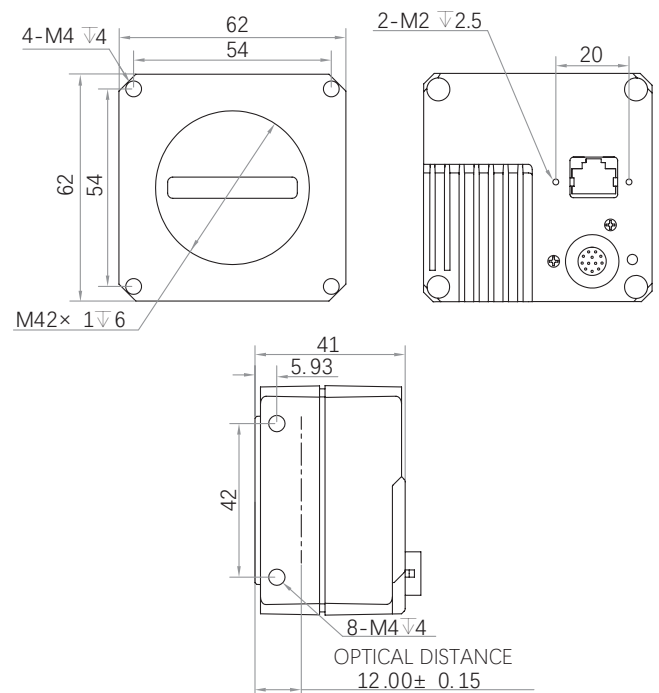
Applied range • Printing • Textile • Railway • Logistics • Metallurgy • Food • Pharmaceutical • Material sorting

Camera	LEO2 4096G-L19gc
Resolution [H*V]	4096 × 2
Sensor Type	CMOS
Pixel Pize [μm]	7 × 7
Line Frequency [KHz]	19 kHz@Bayer RG 8/Bayer RBGG 8/Mono 8、 14 kHz@Bayer RG 10/12/Mono10/12、 9 kHz@RGB 8/BGR 8 ; HB: 80 kHz@Bayer RBGG 8、 40 kHz@Other pixel formats
Data Bit	8bit / 10bit / 12bit
Exposure Time	5μs~10ms
Dynamic Range	>65dB
Mono/Color	Color
Image Format	Mono 8/10/12, Bayer RG 8/10/12, RGB 8, BGR 8
Interface	GigE
Synchronization	Via hardware trigger、software trigger or free run mode
Programmable Control [ISP]	Image resolution、RGB gain、Exposure time、Gamma form、Image rollovers、Raw、LUT、Black level correction
Housing Size [l*w*h]	62.0 × 62.0 × 41.0 mm (280g)
Operating Temperature	-30~80 ° C (Storage), -20~56° C (Working)
Lenses Mount	M42*1.0, BFL 12 mm
Digital I/O	Configurable output and input × 4, supports single-end/differential
Power Input	DC 12-24V, Supporting PoE
Power Consumption	12V @6.6W
Driver	LEO Series Camera Software Suite (iDatum) or 3rd party GigE Vision Software
Operating System	Windows, Linux
Conformity	GigE Vision, GenICam

Spectral Response



Dimensions



No.8, Xiyuan 9th Road West Lake District, Hangzhou 310030 China
 Tel: 86-571-86888309, 86-571-86888307
 Web: www.visiondatum.com Email: market@visiondatum.com

