



LEO 65MG-71xm/xc

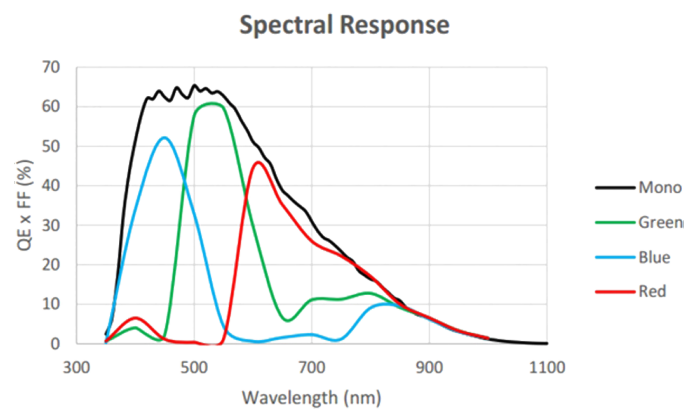
- 65MP resolution @71 fps
- Adopts CXP-12 interface to transmit data
- Global shutter CMOS, high dynamic range, good signal-to-noise ratio, excellent image quality
- Compatible with CoaXPress Protocol, GenICam Standard, and the third-party software based on these protocol and standard
- Support Windows



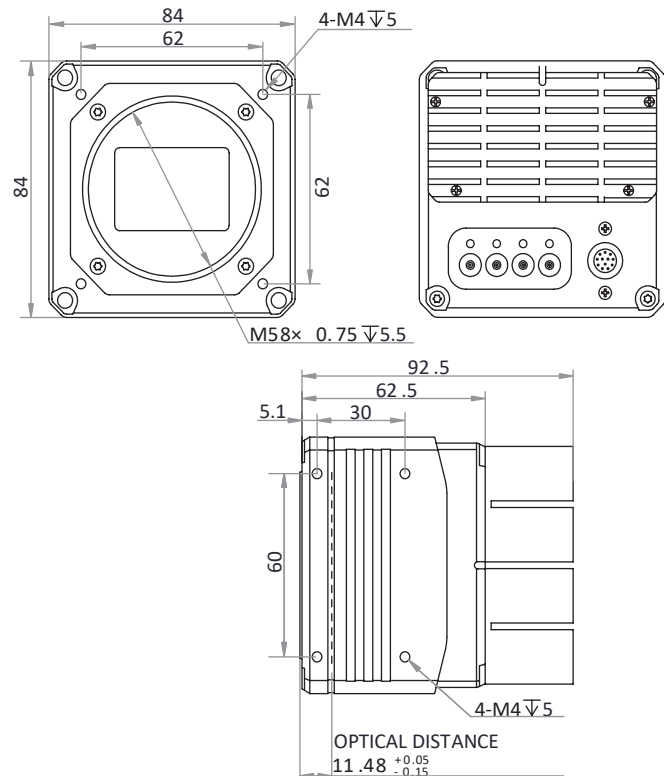
**Applied range** • Defect Detection • Surface Patch Detection • Visual Positioning • Size Measuring • QR Code Reading • VR/AR • Logistics

| Camera                     | LEO 65MG-71xm/xc   |
|----------------------------|--|
| Resolution [H*V]           | 9344 × 7000  |
| Sensor                     | Gpixel GMAX3265  |
| Sensor Size                | 29.9 mm × 22.4 mm  |
| Sensor Technology          | Global, CMOS   |
| Pixel Size [μm]            | 3.2 × 3.2  |
| Frame Rate [fps]           | 71   |
| Data Bit                   | 10bit  |
| Exposure Time              | 12μs~10s   |
| Dynamic Range              | 66dB   |
| Mono/Color                 | Mono / Color   |
| Image Format               | Mono: Mono 8/10/12<br>Color: Bayer BG 8/10/12  |
| Interface                  | CoaXPress (Micro-BNC)  |
| Synchronization            | Via hardware trigger、software trigger or free run mode   |
| Programmable Control [ISP] | Image resolution、RGB Gain、Exposure time、Contrast ratio、Gamma form、Image rollovers、Raw、LUT、Black level correction |
| Housing Size [l*w*h]       | 84 × 84 × 92.5 mm (650g)   |
| Operating Temperature      | -30~70 ° C (Storage), 0~50° C (Working)  |
| Lenses Mount               | M58, BFL 11.48 mm  |
| Digital I/O                | Opto-isolated input x 1, opto-isolated output x 1, bi-directional custom non-isolated I/O x 1, RS232 x 1         |
| Power Input                | DC 24V   |
| Power Consumption          | 24V @15.1W   |
| Driver                     | Frame Grabber Software Compliant With CoaXPress Protocol   |
| Operating System           | Windows  |
| Conformity                 | CoaXPress, GenICam   |

### Spectral Response



### Dimensions



No.8, Xiyuan 9th Road West Lake District, Hangzhou 310030 China  
Tel: 86-571-86888309, 86-571-86888307  
Web: [www.visiondatum.com](http://www.visiondatum.com) Email: [market@visiondatum.com](mailto:market@visiondatum.com)

