



### LEO 150MSC-6xm

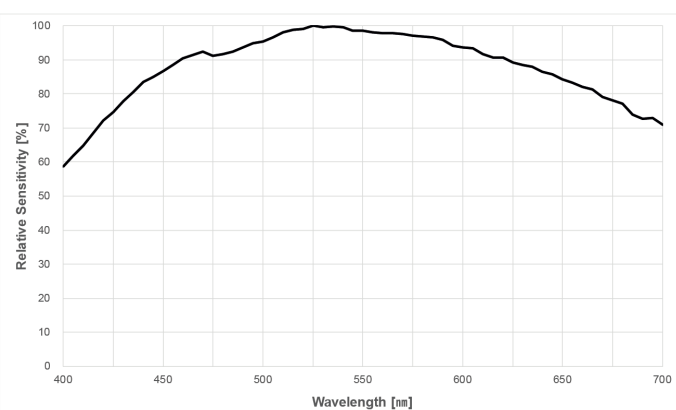
- 151MP resolution @6.5 fps
- Adopts CXP-6 interface to transmit data
- Global shutter CMOS, high dynamic range, good signal-to-noise ratio, excellent image quality
- Compatible with CoaXPRESS Protocol, GenICam Standard, and the third-party software based on these protocol and standard
- Support Windows



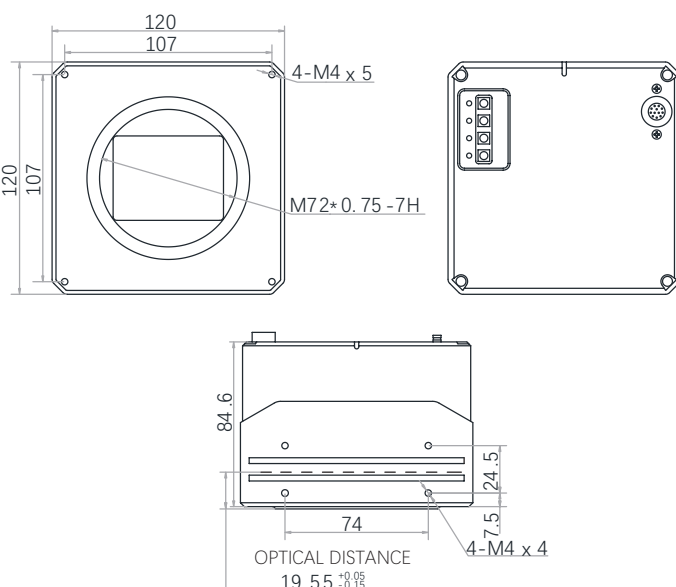
**Applied range** • Defect Detection • Surface Patch Detection • Visual Positioning • Size Measuring • QR Code Reading • VR/AR • Logistics

Camera	LEO 150MSC-6xm
Resolution [H*V]	14208 × 10640
Sensor	Sony IMX411
Sensor Size	66.7 mm
Sensor Technology	Rolling, CMOS
Pixel Pize [μm]	3.76 × 3.76
Rframe Rate [fps]	6.2
Data Bit	8bit / 10bit / 12bit / 16bit
Exposure Time	15μs~10s
Dynamic Range	>78dB
Mono/Color	Mono
Image Format	Mono 8/10/12/16
Interface	CoaXPRESS (DIN port)
Synchronization	Via hardware trigger、software trigger or free run mode
Programmable Control [ISP]	Image resolution、Exposure time、 Contrast ratio、 Gamma form、 Image rollovers、 Raw、 LUT、 Black level correction
Housing Size [l*w*h]	120 × 120 × 84.6 mm (1900g)
Operating Temperature	-30~70 ° C (Storage), 0~50° C (Working)
Lenses Mount	M72, BFL 19.55 mm
Digital I/O	Opto-isolated input x 1, opto-isolated output x 1, bi-directional custom non-isolated I/O x 1,RS232 x 1
Power Input	DC 24V
Power Consumption	TEC Non-Cooling: 24V @22W TEC Cooling: 24V @60W
Driver	Frame Grabber Software Compliant With CoaXPRESS Protocol
Operating System	Windows
Conformity	CoaXPRESS,GenICam

### Spectral Response



### Dimensions



No.8, Xiyuan 9th Road West Lake District, Hangzhou 310030 China  
Tel: 86-571-86888309, 86-571-86888307  
Web: [www.visiondatum.com](http://www.visiondatum.com) Email: [market@visiondatum.com](mailto:market@visiondatum.com)

