



LEO 5000S-140cm/cc

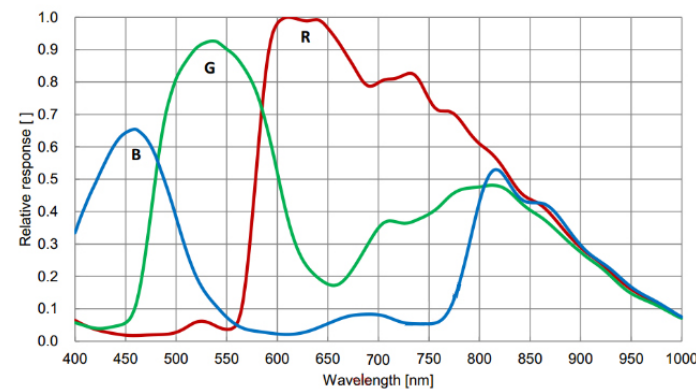
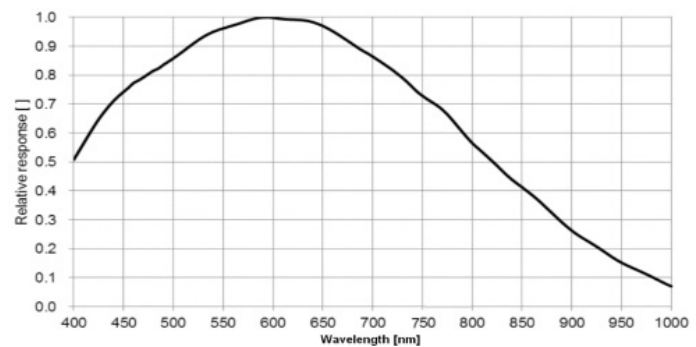
- 5MP resolution @140 fps
- Adopts CameraLink interface to transmit data
- Supports four configuration modes: Base, Medium, Full and 80-bit
- Compatible with CameraLink Vision Protocol, GenICam Standard, and the third-party software based on these protocol and standard
- Support Windows



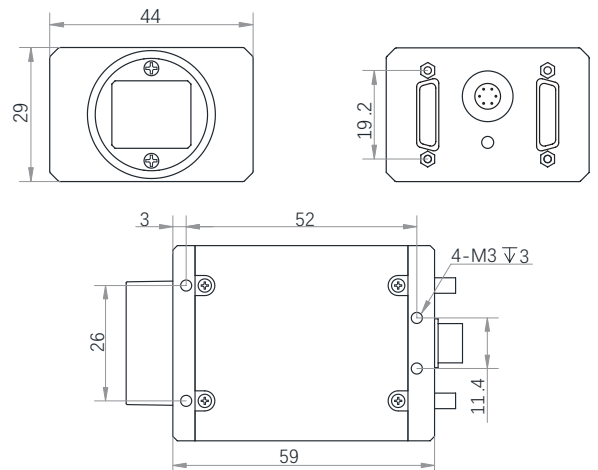
Applied range • Defect Detection • Surface Patch Detection • Visual Positioning • Size Measuring • QR Code Reading • VR/AR • Logistics

Camera	LEO 5000S-140cm/cc
Resolution [H*V]	2432 × 2048
Sensor	Sony IMX250
Sensor Size	2/3"
Sensor Technology	Global, CMOS
Pixel Pize [μm]	3.45 × 3.45
Rframe Rate [fps]	140
Configuration mode	Base / Medium / Full / 80-bit
Taps	2 / 4 / 8 / 10 Taps
Data Bit	8bit / 10bit / 12bit
Exposure Time	Monochrome: 15 μs ~10s Color: 4 μs ~10s
Dynamic Range	>75dB
Mono/Color	Mono/Color
Image Format	Monochrome: Mono8/10/12 Color: Bayer RG 8/10/12,RGB8
Interface	Camera Link (SDR port)
Synchronization	Via hardware trigger、software trigger or free run mode
Programmable Control [ISP]	Image resolution、RGB gain、 Exposure time、 Contrast ratio、 Gamma form、 Image rollovers、 Raw、 LUT、 Black level correction
Housing Size [l*w*h]	29 × 44 × 59 mm (100g)
Operating Temperature	-30~70 ° C (Storage), 0~50° C (Working)
Lenses Mount	C-Mount
Digital I/O	Opto-isolated input x 1, opto-isolated output x 1, and bi-directional non-isolated I/O x 1
Power Input	DC 9-24V
Power Consumption	12V @3.25W
Driver	LEO Series Camera Software Suite (iDatum) or Frame Grabber Software Compliant With GenICam Protocol
Operating System	Windows
Conformity	Camera Link,GenICam

Spectral Response



Dimensions



No.8, Xiyuan 9th Road West Lake District, Hangzhou 310030 China
Tel: 86-571-86888309, 86-571-86888307
Web: www.visiondatum.com Email: market@visiondatum.com

