



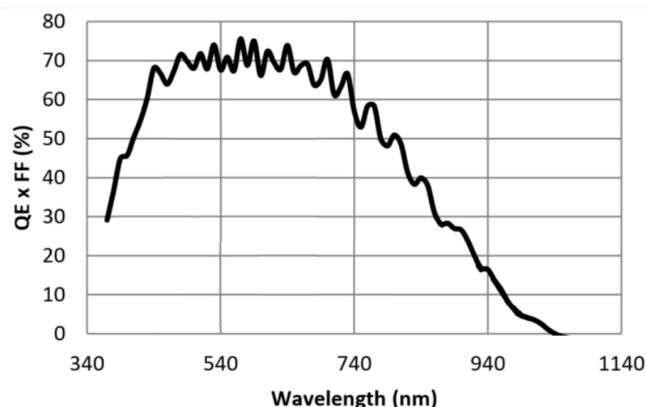
LEO 4K-100cm

- 4K @100 KHz
- Adopts CameraLink interface to transmit data
- Supports four configuration modes: Base, Medium, Full and 80-bit
- Compatible with CameraLink Vision Protocol, GenICam Standard, and the third-party software based on these protocol and standard
- Support Windows

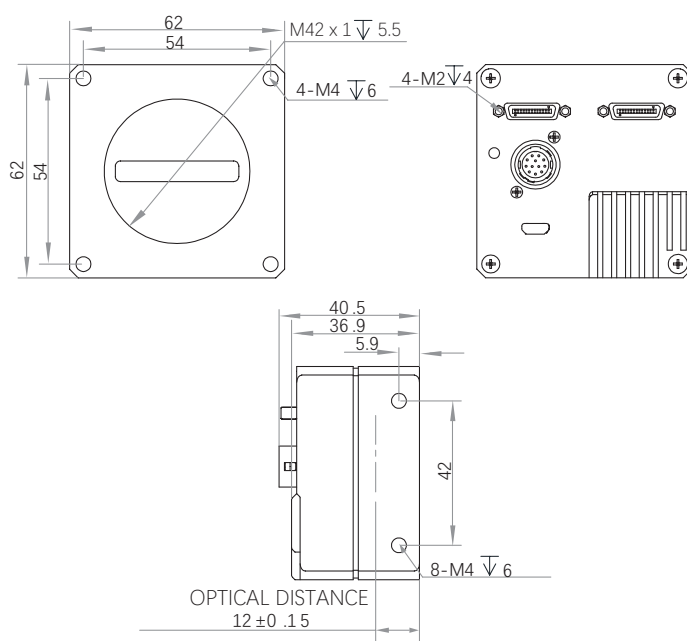
Applied range • Printing • Textile • Railway • Logistics • Metallurgy • Food • Pharmaceutical • Material sorting

Camera	LEO 4K-100cm
Resolution [H*V]	4096 × 2
Sensor Type	CMOS
Pixel Size [μm]	7 × 7
Line Frequency [KHz]	100 kHz@ 1line, 50 kHz@ 2-TDI
Taps	2/4/8 Taps
Pixel Clock	40 MHz, 60 MHz, 70 MHz, 85 MHz
Exposure Time	5μs~10ms
Dynamic Range	>65dB
Mono/Color	Mono
Image Format	Mono 8/10/12
Interface	CameraLink
Synchronization	Via hardware trigger、software trigger or free run mode
Programmable Control [ISP]	Image resolution、Exposure time、 Contrast ratio、 Gamma form、 Image rollovers、 Raw、 LUT、 Black level correction
Housing Size [l*w*h]	62.0 × 62.0 × 36.9 mm (238g)
Operating Temperature	-30~80 ° C (Storage), -20~56° C (Working)
Lenses Mount	M42*1.0, BFL 12 mm
Digital I/O	Configurable output and input × 4
Power Input	DC 12-24V
Power Consumption	12V @5.5W
Driver	LEO Series Software Suite (iDatum) or Frame Grabber software meeting with CameraLink Protocol
Operating System	Windows
Conformity	CameraLink Vision,GenICam

Spectral Response



Dimensions



No.8, Xiyuan 9th Road West Lake District, Hangzhou 310030 China
Tel: 86-571-86888309, 86-571-86888307
Web: www.visiondatum.com Email: market@visiondatum.com

