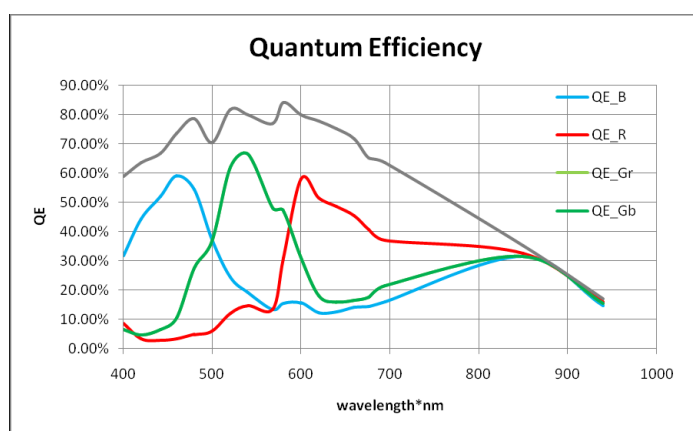


- 1.3MP resolution @201 fps
- USB 3.0 interface with plug and play capability, USB3.0 power supply
- Compatible with USB3 Vision Protocol, GenICam Standard, and the third-party software based on these protocol and standard.
- Support Windows and Linux

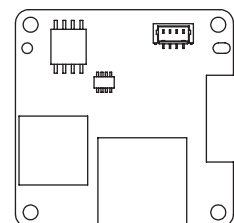
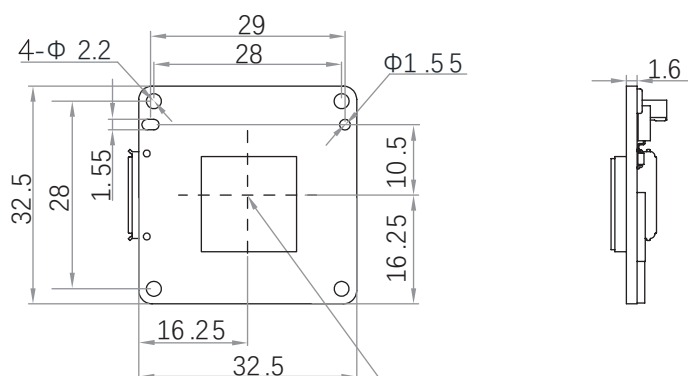
**Applied range** • Defect Detection • Surface Patch Detection • Visual Positioning • Size Measuring • QR Code Reading • VR/AR • Logistics

Camera	LEO 1300D-200um-BL
Resolution [H*V]	1280 × 1024
Sensor	/
Sensor Size	1/2"
Sensor Technology	Global, CMOS
Pixel Size [μm]	4.8 × 4.8
Frame Rate [fps]	201
Data Bit	8bit / 10bit / 12bit
Exposure Time	9μs~10s
Dynamic Range	53dB
Mono/Color	Mono
Image Format	Mono 8/10/10Packed/12/12Packed
Interface	USB 3.0
Synchronization	Via hardware trigger、software trigger or free run mode
Programmable Control [ISP]	Image resolution、Exposure time、 Contrast ratio、 Gamma form、 Image rollovers、 Raw、 LUT、 Black level correction
Housing Size [l*w*h]	32.5 × 32.5 × 1.6 mm (10g)
Operating Temperature	-30~70 ° C (Storage), 0~50° C (Working)
Lenses Mount	/
Digital I/O	bi-directional custom non-isolated I/O x 2
Power Input	Supporting USB3.0
Power Consumption	5V @<1.6W
Driver	LEO Series Camera Software Suite (iDatum) or 3rd party USB3 Vision Software
Operating System	Windows, Linux
Conformity	USB3 Vision, GenICam

### Spectral Response



### Dimensions



No.8, Xiyuan 9th Road West Lake District, Hangzhou 310030 China  
 Tel: 86-571-86888309, 86-571-86888307  
 Web: [www.visiondatum.com](http://www.visiondatum.com) Email: [market@visiondatum.com](mailto:market@visiondatum.com)

