

LEO Series WDR Cameras



- Stable performance, low power consumption
- Built-in ISP image algorithms, such as WDR、noise reduction、sharp, etc.
- Supports auto exposure control, Gain, etc.
- Supports hardware trigger, software trigger, etc.
- Compatible with GigE Vision standard, support GenICam protocol

LEO Series Cameras

► Features

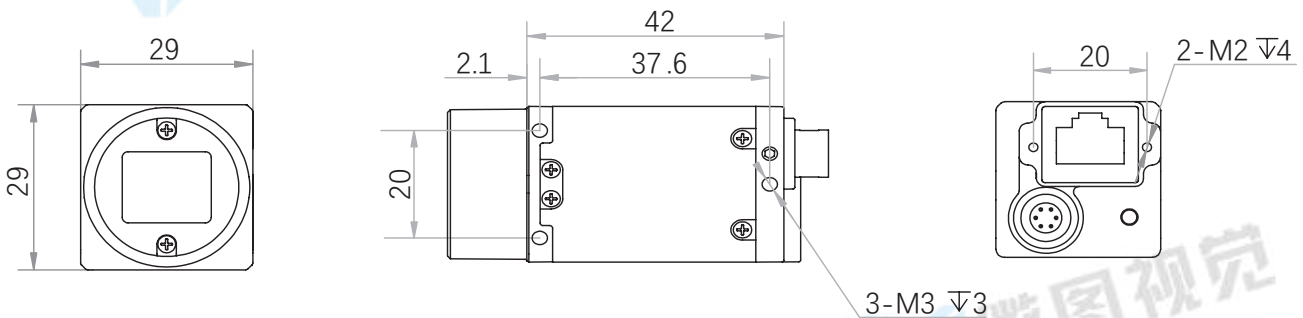
- CMOS Sensor
- Wide dynamic range
- 9~24 VDC power supply, PoE optional [except LEO 2000S-56gc-HR and LEO 5000A-24gm/gc-HR]

► Parameters

| Model | Sensor | Shutter Type | Sensor Size | Pixel Size [μm^2] | Resolution [HxV pixels] | Frame Rate [fps] | Bit Depth [bit] | Mono/Color | Dynamic Range [dB] | Exposure Time |
|-------------------|--------|--------------|-------------|--------------------------------|-------------------------|------------------|-----------------|------------|--------------------|-------------------------------------|
| LEO 720S-125gm-HR | IMX297 | Global | 1/2.9" | 6.9 | 720 x 540 | 126.5 | 10 | Mono | 74 | 15 μs ~ 10s ¹ |
| LEO 720S-125gc-HR | IMX297 | Global | 1/2.9" | 6.9 | 720 x 540 | 126.5 | 10 | Color | 74 | 15 μs ~ 10s ¹ |
| LEO 1440S-65gm-HR | IMX296 | Global | 1/2.9" | 3.45 | 1440 x 1080 | 65.8 | 10 | Mono | 74 | 15 μs ~ 10s ¹ |
| LEO 1440S-65gc-HR | IMX296 | Global | 1/2.9" | 3.45 | 1440 x 1080 | 65.8 | 10 | Color | 74 | 15 μs ~ 10s ¹ |
| LEO 2000S-56gc-HR | IMX290 | Rolling | 1/2.8" | 2.9 | 1920 x 1080 | 56 | 12 | Color | 90 | 128 μs ~ 33ms |
| LEO 5000A-24gm-HR | AR0521 | Rolling | 1/2.5" | 2.2 | 2592 x 1944 | 24 | 12 | Mono | 63 | 21 μs ~ 1s |
| LEO 5000A-24gc-HR | AR0521 | Rolling | 1/2.5" | 2.2 | 2592 x 1944 | 24 | 12 | Color | 63 | 21 μs ~ 1s |
| LEO 6000S-20gm-HR | IMX178 | Rolling | 1/1.8" | 2.4 | 3072 x 2048 | 19.1 | 12 | Mono | 71.3 | 25 μs ~ 2.5s |
| LEO 6000S-20gc-HR | IMX178 | Rolling | 1/1.8" | 2.4 | 3072 x 2048 | 19.1 | 12 | Color | 71.3 | 25 μs ~ 2.5s |
| LEO 4020S-10gm-HR | IMX226 | Rolling | 1/1.7" | 1.85 | 4024 x 3036 | 9.7 | 10 | Mono | 70.5 | 34 μs ~ 2s |
| LEO 4020S-10gc-HR | IMX226 | Rolling | 1/1.7" | 1.85 | 4024 x 3036 | 9.7 | 10 | Color | 70.5 | 34 μs ~ 2s |

Note 1: Supports ultra-short exposures: 1 μs ~ 14 μs

► Dimensions



► Accessories

| Model | Interface 1 | Interface 2 | Length | Note |
|-------------------|---------------------|-------------|--------|---------------------|
| VT-NET-3LK(CAB) | RJ45 (with locking) | RJ45 | 3m | Cable |
| VT-Hirose6-7-0.5M | HRS 6pin | Open | 0.5m | Trigger/Power Cable |
| VT-GST25A12 | C14 | Open | - | 12V Power Adapter |

For more length specifications, please consult sales

Vision And More Available

让工业更智能，让视觉更简单！



SWIR/LWIR Camera
Industrial Camera



Macro Lens
Industrial Lens



Microscope



System Solution
No-programming Software

Hangzhou Vision Datum Technology Co., Ltd.

Tel: 86-571-86888307/86888309

www.visiondatum.com



Ver.22.07