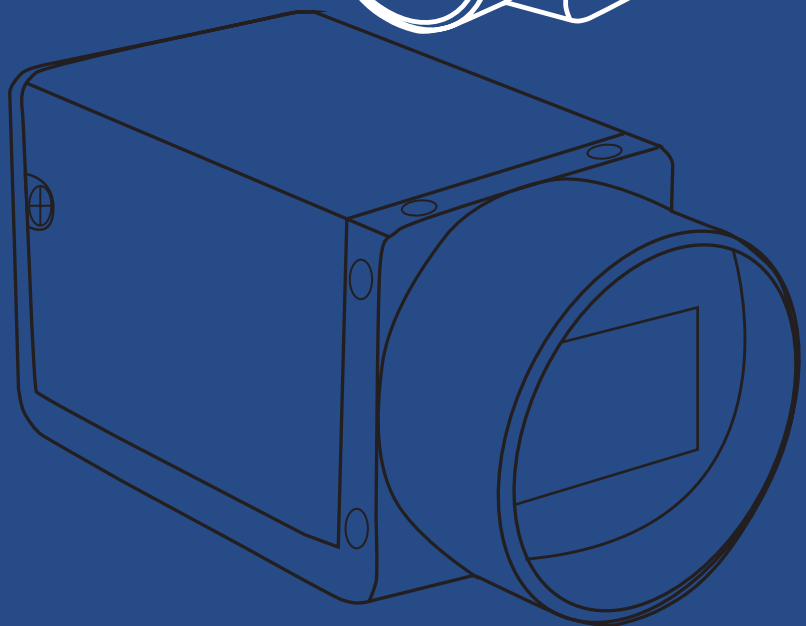
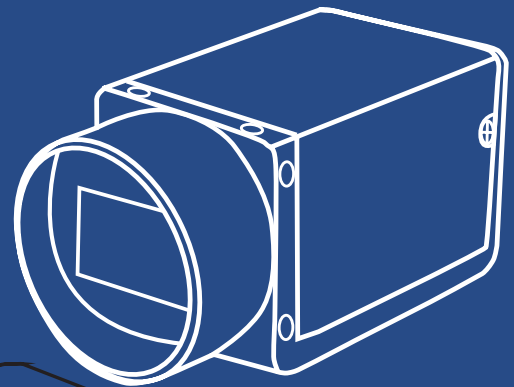


LEO2 Series

Vision Datum

LEO Series Second-generation
Industrial Cameras



Vision Datum LEO2 Series

Second-generation Area Scan Cameras

For more info, pls visit:
www.visiondatum.com

Brief Introduction

With the wide application and popularization of machine vision technology, more and more higher requirements proposed by industrial applications, like high precision measurements and high speed inspection. Depend on decade technology accumulation efforts from former cameras, Vision Datum has developed a new series cameras - LEO2 Series which equipped with excellent image sensors, high dynamic range, good signal-to-noise ratio, excellent image quality, excellent power consumption design, supports four-sided installation, wider voltage access, larger temperature width design, can be more resistant to experimental clamping, better adapt to complex and harsh visual application environments to ensure stable camera output.

With the LEO2 series, you can choose from the most popular data interfaces in the Vision Market. All of these interfaces are standardized and offer the option to provide power and data to the camera via one single cable. The cameras also offer

separate input/output ports for triggering or flash control.

The LEO series second-generation industrial cameras cover GigE Gigabit Ethernet and USB3.0 protocol standards, support GenICam, USB3 Vision® and GigE Vision®, and can seamlessly connect with third-party software such as HALCON and Vision Pro without secondary development.

Applications

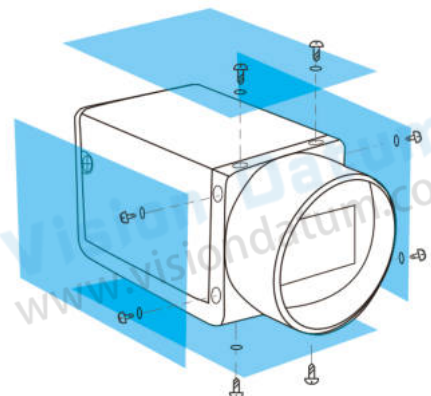
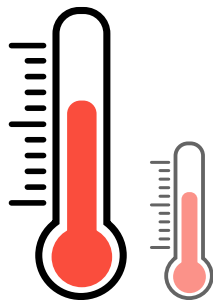
- Defect Inspection;
- SMT;
- Vision Localization;
- Dimension Measurement;
- Barcode Reading;
- VR/AR
- Logistic Industry

Main Feature

- Rugged industrial housing design, support four-sided installation
- Larger temperature width design, adapt to complex and harsh visual application environment
- Professional SDK secondary development kit
- Seamless access to third-party software platforms or development kits
- Comply with GenICam™, GigE Vision® and USB3 Vision® standards

GIG
VISION

USB
VISION



Support Standard
Protocol

Larger Temperature Width Design
-30~60°C

Support Four-sided Installation

Vision Datum LEO2 Series

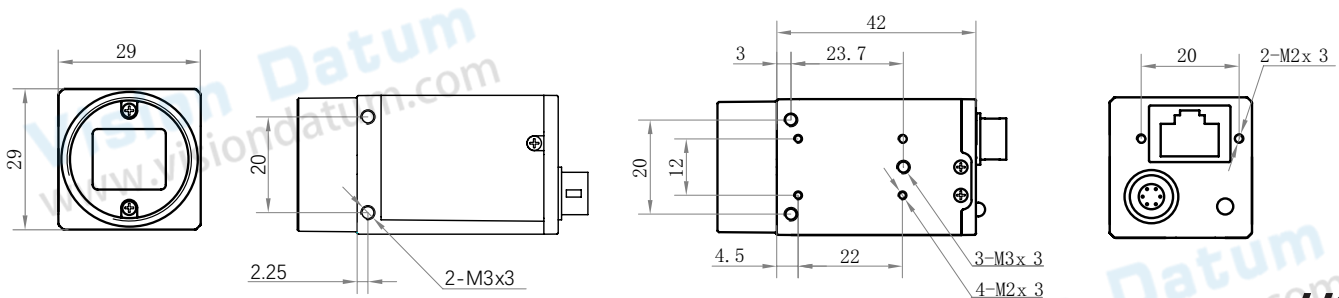
Second-generation Area Scan Cameras

For more info, pls visit:
www.visiondatum.com

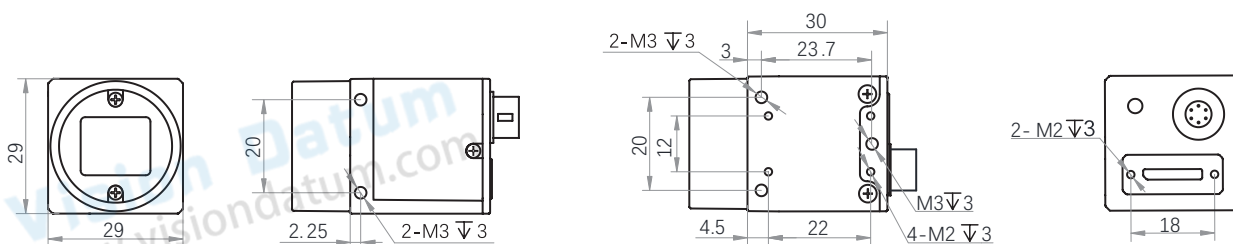
Specifications



Model	Resolution [H×V pixels]	Frame Rate [fps]	Sensor Size	Pixel Size [μm ²]	Sensor	Sensor Technology	Color
LEO2 720S-125gm	720 × 540	125.2	1/2.9"	6.9	IMX297	Global CMOS	Mono
LEO2 720S-125gc	720 × 540	125.2	1/2.9"	6.9	IMX297	Global CMOS	Color
LEO2 1440S-65gm	1440 × 1080	65.2	1/2.9"	3.45	IMX296	Global CMOS	Mono
LEO2 1440S-65gc	1440 × 1080	65.2	1/2.9"	3.45	IMX296	Global CMOS	Color
LEO2 5000S-35gm-P	2448 × 2048	24.2 / 35.6(Lossless Compression)	2/3"	3.45	IMX264	Global CMOS	Mono
LEO2 5000S-35gc-P	2448 × 2048	24.2 / 35.6(Lossless Compression)	2/3"	3.45	IMX264	Global CMOS	Color
LEO2 6000S-30gm-P	3072 × 2048	19.1 / 30.7(Lossless Compression)	1/1.8"	2.4	IMX178	Rolling CMOS	Mono
LEO2 6000S-30gc-P	3072 × 2048	19.1 / 30.7(Lossless Compression)	1/1.8"	2.4	IMX178	Rolling CMOS	Color



Model	Resolution [H×V pixels]	Frame Rate [fps]	Sensor Size	Pixel Size [μm ²]	Sensor	Sensor Technology	Color
LEO2 6000S-60um-P	3072 × 2048	59.6	1/1.8"	2.4	IMX178	Rolling CMOS	Mono
LEO2 6000S-60uc-P	3072 × 2048	59.6	1/1.8"	2.4	IMX178	Rolling CMOS	Color



Vision And More Available !

让工业更智能，让视觉更简单！



SWIR Camera
Industrial Camera



Macro Lens
Industrial Lens



Microscope



System Solution
No-programming Software

Company Hangzhou Vision Datum Technology Co.,Ltd
Add. Xiyuan 9th Road West Lake District, Hangzhou 310030 China
Tel. +86-571-86888309 / 571-86888307
Email market@visiondatum.com (Market)
support@visiondatum.com (Support)
Website www.visiondatum.com

